

Group 2

Thermo-plastic Hoses

Teflon Hoses

Water Jetting Hoses









moreld
flux

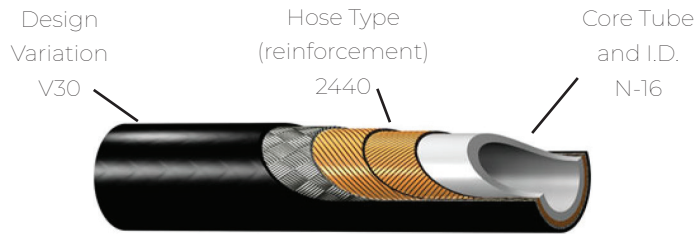
Page Contents

3-6	Selection Tables for Hoses and Fittings
7	Micro Hoses, 2020N, Mini Control System
8	Teflon Hoses (PTFE), 2030T, 2033T
9	High Pressure, Type 520N, 575X, Low volume Expansion
10	High Pressure, Type 2022N, 2040N, Light weight
11	High Pressure, Type 2244N, 2245N, 2370N/H, Hydraulic, Gases
12	High Pressure, 714, Type 715 Spray Paint, Hydraulic
13	Ultra high Pressure Type 2380N, 2380M, Hydraulic, Methanol
14	Ultra high Pressure, Type 2388N, 2X80N, 2390N (V91) Hydraulic
15	Ultra high Pressure, Type 2448N (V91) Umbilical Hose, 2440D/N, Hydraulic
16	Ultra high Pressure, 2640D/N, Hydraulic
17	Black Eagle Family + Colorgard™
18	Water Jetting, Type 2240D, 2388N "Blueline"
19	Water Jetting, Type 2440D/N, 2580N "Blueline"
20	Water Jetting, Type 2640D/N, 2740D
21	Water Jetting, Type 2840D
22-26	Chemical table

Symbol Key

#											
Part No	mm	inch	dash	mm	bar	psi	bar	psi	mm	kg/m	Fitting Series
2388N-04V12W	6.3	1/4	-04	13.3	1280	18560	3200	46400	80	0.30	BS
Part No	Inside Diameter			Out. Dia.	Working Pressure		Burst Pressure		B. Radius	Weight	

Hose Part Number Build



244x0N-16V30

2440

1.Reinforcement	2. reinforcement II (if rein-forcement ≠0)	2. reinforcement II (if rein-forcement =0)	3. Reinforcement III
0 = No spiralizing	hhh	0 = No braiding	0 = No braiding
1 = Two open spiralized layers	1 = Synthetic fiber (not aramid)	1 = One braid of non-aramid fiber	1 = One braid of non-aramid fiber
2 = Two closed spiralized layers	2 = Aramid fiber	2 = One braid of aramid fiber	2 = One braid of aramid fiber
3 = Two closed spiralized layers two open spiralized layers	3 = Stainless steel wire	3 = One braid of stainless steel wire	3 = One braid of stainless steel wire
4 = Four closed spiralized layers	4 = Steel wire	4 = One braid of steel wire	4 = One braid of steel wire
5 = Four closed spiralized layers (increased pressure)	5 = Iron wire	5 = One braid of iron wire	5 = One braid of iron wire
6 = Six closed spiralized layers	6 = Cord strand	6 = One braid of iron wire, zinc-plated	6 = One braid of iron wire, zinc-plated
7 = Six closed spiralized layers (increased pressure)	7 = Steel wire and open spiralized synthetic yarn		7 = (open)
8 = Eight closed spiralized layers	8 = Steel wire and open spiralized cord strand		8 = Different pressure reinforcement
9 = Eight closed spiralized layers (increased pressure)	9 = Other construction		

N-16	N-16	V30	V30
4. Core Material	5. Hose Size (I.D.)	6. Cover Material	7. Cover Color
D = POM (Delrin)	02 = 1/8" (3.2mm)	0 = Polyurethane (PUR)	0 = Black
E = Ethylene tetrafluoroethylene (ETFE)	025 = 5/32" (4.0mm)	1 = Polyurethane (PUR) - seawater-resistant	1 = Black (metha-nol-washed hose types)
Ethylene chlorotrifluoroeth-ylene (ECTFE)	03 = 3/16" (4.8mm)	2 = PEE	2 = Blue
F = Fluorinated ethylene propyl-ene (FEP)	04 = 1/4" (6.4mm)	3 = Polyamide (PA) - Nylon (6, 11, or 12)	3 = Green
H = Thermoplastic Elastomer-Ether-Ester — Hytrel®*	05 = 5/16" (7.9mm)	3 = Polyamide (PA) - Nylon (6, 11, or 12)	4 = Red
M = Mixture/co-extruded	06 = 3/8" (6.4mm)	4 = Polyethylene (PE)	5 = Orange
N = Polyamide (Nylon)	08 = 1/2" (12.7mm)	8 = Extra thick	6 = Yellow
P = Polyethylene (PE)	12 = 3/4" (19.0mm)		7 = Gray
S = Special material	16 = 1" (25.4mm)		8 = Gold
T = Polytetrafluoroethylene (PTFE)	20 = 1-1/4" (31.8mm)		
U = Thermoplastic polyure-thanes (TPU)	24 = 1-1/2" (38.1mm)		
V = Polyvinylidene Fluoride (PVDF)	32 = 2" (50.8mm)		
	48 = 3" (76.0mm)		

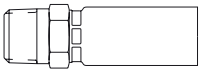
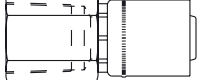
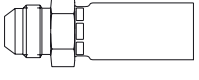
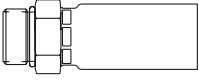
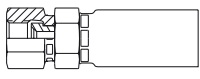
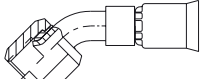
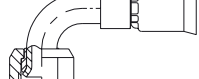
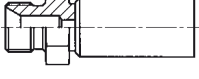


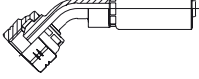

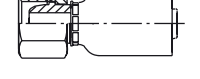
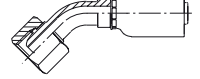
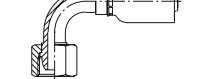
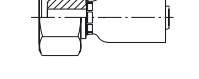
Selection Table for Hoses

Hose Dimension																	
inch	5/64	1/8	5/32	3/16	1/4	5/16	3/8	1/2	5/8	3/4	1	1¼	1½	2	3		
mm	2.0	3.2	4.0	4.8	6.4	7.9	9.5	12.7	15.9	19.0	24.4	31.8	38.1	50.8	75.0		
dash	-012	-02	-025	-03	-04	-05	-06	-08	-10	-12	-16	-20	-24	-32	-48		
DN	2	3	4	5	6	8	10	12	16	20	25	32	40	50	75		
Micro Hoses															Working Pressure Bar		Fittings Series
2020N	475	400															EX
Teflon Hoses PTFE/FEP																	
2030T					275	240	200	175	150	125	100	80					BPX
2033T					275	250	225	200	175	150	125						PX
High pressure Hoses																	
520N					345	345	310	275	240								55/56
575X					345	345	345	345	345	345							55/56/58H
2022N - V91 5K					345		345	345									55
2040N			350		340	310	250	240	185	140	125	100					56/PX
2244N								535	550				275				8X/NX
2245N					450	400	375	350	330	300	275						NX
2370N/H					465	440	420	350									RX/9X
2390NV91							445	415		350	280						9X
Ultra high pressure Hoses																	
2022N - V91 10K					690		690	690									8X/3X/LX
2380N					700	635	517	517									8X/LX
2380M					690	600											8X/LX
2388N					800												8X
2X80N					700		700			450							8X/LX
2390NV91-10K							712										9X
2440D				2200	1800	1640	1500	1400	1300		1000	90					LX
2440N								1400	1300		1000	900					LX
2440NV91								865	690		690	690					LX
2448NV91					1035		1035	865									8X/*
2640D/2640N				2800	2500		2100		1800		1400			690	690		5X
Black Eagle																	
2240N - V80																345	TX
2440N/48N - V80												690		345	690		LX/BL/SX
2580N - V80														690			BL/SX
2640N/48N - V80													1035	1035	1035		CX/SX
2448M - V88															345		BL/SX
2580M - V88															690		BL
2640M - V88														690			SX
Paint Spray Hoses																	
714					345	310	250	240	190	145	130	100					PX
715					450	395	345	275	210	175	135						HPX
Water Jetting Hoses																	
2240D			1100	1200	1000	1000	900										TX/AX
2388N						1280			1100								BS
2440D/2440N				2200	1800	1640	1500	1400	1300		1000	900					LX
2580N					1600	1400	1200										BL
2640D/2640N				2800	2500	2500	2100		1800		1400	1200					HX/SX
2740D				3000	2800		2500		2000								HX
2840D					4000		3000		2500								WX

* Ask us about fittings

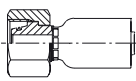
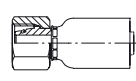
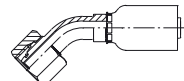
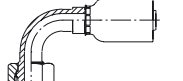
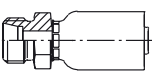
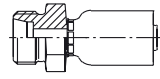
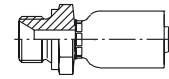

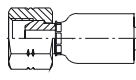
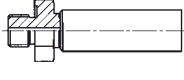
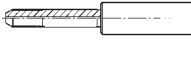
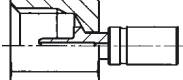
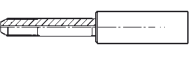
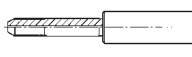
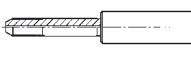
Selection Table for Fittings

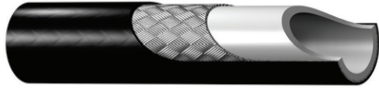
	51	54	55	56	58	5X	8X	9X	91N	93N	AB	EX
NPTF Male 60° Cone	01	X		X	X	X		X	X	X	X	X
NPTF Female-rigid	02											
JIC Male-37° Cone	03	X		X	X				X			
UNF Male/O-ring	05			X	X		X					
JIC-37° Cone	06	X		X	X	X		X	X	X		X
Metric Swivel Strong Series 90° Elbow O-ring	1C			X	X	X						
JIC 37°Cone 45° Elbow	37			X	X				X			
JIC 37°Cone 90° Elbow	39	X		X	X	X			X			
BSP Male-60° Cone	3B						X					
BSP Swivel 60° Cone	92	X	X	X	X	X	X		X		X	
UNF Swivel 59° Cone	AY					X						
BSP Swivel 45° Elbow	B1	X	X	X	X	X						
BSP Swivel 90° Elbow	B2	X	X	X	X	X						
Metric Swivel Light Series Cone	C3	X	X	X	X		X		X		X	
Metric Swivel Light Series Cone 45° Elbow	C4	X	X	X	X							
Metric Swivel Light Series Cone 90° Elbow	C5	X	X	X	X							
Metric Swivel Strong Series	C6	X		X	X	X						
Metric Swivel Strong Series O-ring	C9			X	X	X	X	X				X
Metric Swivel Light Series O-ring	CA		X	X	X	X						X
Metric Swivel Light Series 45° Elbow O-ring	CE		X	X	X	X						
Metric Swivel Light Series 90° Elbow O-ring	CF		X	X	X	X						
Metric Male 24° Cone Light Series	D0	X		X	X	X			X		X	
Metric Male 24° Cone Strong Series	D2	X		X	X	X					X	
BSP Male	D9	X		X	X	X		X	X			X
M16X2 Swivel (Knurled nut)	R8											X
BSP Swivel 60° Cone	UO				X		X				X	
BSP Male- For USIT Ring	Y9											
AE Fitting High Pressure 59° Cone UNF-LH	YA					X						
Metric Swivel Nut	YR											X
AE Fitting Medium Pressure 59° Cone UNF-LH	Y2						X					
AE Fitting High Pressure 59° Cone UNF-LH	Y4											
AE Fitting High Pressure 59° Metric cone	YM					X						

01 NPTF Male - 60° Cone  <table border="1"> <tr><td>51</td><td>BL</td></tr> <tr><td>54</td><td>EX</td></tr> <tr><td>55</td><td>HP</td></tr> <tr><td>56</td><td>BS</td></tr> <tr><td>58</td><td>NX</td></tr> <tr><td>5X</td><td>PX</td></tr> <tr><td>8X</td><td>RX</td></tr> <tr><td>91N</td><td>YX</td></tr> <tr><td>93N</td><td></td></tr> </table>	51	BL	54	EX	55	HP	56	BS	58	NX	5X	PX	8X	RX	91N	YX	93N		02 NPTF Female - rigid  <table border="1"> <tr><td>51</td><td>AB</td></tr> <tr><td>54</td><td>EX</td></tr> <tr><td>55</td><td>HP</td></tr> <tr><td>56</td><td>LX</td></tr> <tr><td>58</td><td>NX</td></tr> <tr><td>5X</td><td>PX</td></tr> <tr><td>8X</td><td>RX</td></tr> <tr><td>91N</td><td>YX</td></tr> <tr><td>93N</td><td></td></tr> </table>	51	AB	54	EX	55	HP	56	LX	58	NX	5X	PX	8X	RX	91N	YX	93N		03 JIC Male - 37° Cone  <table border="1"> <tr><td>51</td><td>AB</td></tr> <tr><td>54</td><td>EX</td></tr> <tr><td>55</td><td>HP</td></tr> <tr><td>56</td><td>LX</td></tr> <tr><td>58</td><td>NX</td></tr> <tr><td>5X</td><td>PX</td></tr> <tr><td>8X</td><td>RX</td></tr> <tr><td>91N</td><td>YX</td></tr> <tr><td>93N</td><td></td></tr> </table>	51	AB	54	EX	55	HP	56	LX	58	NX	5X	PX	8X	RX	91N	YX	93N		05 UNF Male / O-Ring  <table border="1"> <tr><td>51</td><td>AB</td></tr> <tr><td>54</td><td>EX</td></tr> <tr><td>55</td><td>HP</td></tr> <tr><td>56</td><td>LX</td></tr> <tr><td>58</td><td>NX</td></tr> <tr><td>5X</td><td>PX</td></tr> <tr><td>8X</td><td>RX</td></tr> <tr><td>91N</td><td>YX</td></tr> <tr><td>93N</td><td></td></tr> </table>	51	AB	54	EX	55	HP	56	LX	58	NX	5X	PX	8X	RX	91N	YX	93N	
51	BL																																																																										
54	EX																																																																										
55	HP																																																																										
56	BS																																																																										
58	NX																																																																										
5X	PX																																																																										
8X	RX																																																																										
91N	YX																																																																										
93N																																																																											
51	AB																																																																										
54	EX																																																																										
55	HP																																																																										
56	LX																																																																										
58	NX																																																																										
5X	PX																																																																										
8X	RX																																																																										
91N	YX																																																																										
93N																																																																											
51	AB																																																																										
54	EX																																																																										
55	HP																																																																										
56	LX																																																																										
58	NX																																																																										
5X	PX																																																																										
8X	RX																																																																										
91N	YX																																																																										
93N																																																																											
51	AB																																																																										
54	EX																																																																										
55	HP																																																																										
56	LX																																																																										
58	NX																																																																										
5X	PX																																																																										
8X	RX																																																																										
91N	YX																																																																										
93N																																																																											
06 JIC - 37° Cone UNF Swivel Nut  <table border="1"> <tr><td>51</td><td>AX</td></tr> <tr><td>54</td><td>EX</td></tr> <tr><td>55</td><td>HP</td></tr> <tr><td>56</td><td>LX</td></tr> <tr><td>58</td><td>NX</td></tr> <tr><td>9X</td><td>PX</td></tr> <tr><td>8X</td><td>RX</td></tr> <tr><td>91N</td><td>YX</td></tr> <tr><td>93N</td><td></td></tr> </table>	51	AX	54	EX	55	HP	56	LX	58	NX	9X	PX	8X	RX	91N	YX	93N		37 JIC - 37° Cone 45° Elbow UNF Swivel Nut  <table border="1"> <tr><td>51</td><td>AB</td></tr> <tr><td>54</td><td>EX</td></tr> <tr><td>55</td><td>HP</td></tr> <tr><td>56</td><td>LX</td></tr> <tr><td>58</td><td>NX</td></tr> <tr><td>5X</td><td>PX</td></tr> <tr><td>8X</td><td>RX</td></tr> <tr><td>91N</td><td>YX</td></tr> <tr><td>93N</td><td></td></tr> </table>	51	AB	54	EX	55	HP	56	LX	58	NX	5X	PX	8X	RX	91N	YX	93N		39 JIC - 37° Cone 90° Elbow UNF Swivel Nut  <table border="1"> <tr><td>51</td><td>AB</td></tr> <tr><td>54</td><td>EX</td></tr> <tr><td>55</td><td>HP</td></tr> <tr><td>56</td><td>LX</td></tr> <tr><td>58</td><td>NX</td></tr> <tr><td>5X</td><td>PX</td></tr> <tr><td>8X</td><td>RX</td></tr> <tr><td>91N</td><td>YX</td></tr> <tr><td>93N</td><td></td></tr> </table>	51	AB	54	EX	55	HP	56	LX	58	NX	5X	PX	8X	RX	91N	YX	93N		3B BSP Male - 60°Cone  <table border="1"> <tr><td>51</td><td>AB</td></tr> <tr><td>54</td><td>EX</td></tr> <tr><td>55</td><td>HP</td></tr> <tr><td>56</td><td>LX</td></tr> <tr><td>58</td><td>NX</td></tr> <tr><td>5X</td><td>PX</td></tr> <tr><td>8X</td><td>RX</td></tr> <tr><td>91N</td><td>YX</td></tr> <tr><td>93N</td><td></td></tr> </table>	51	AB	54	EX	55	HP	56	LX	58	NX	5X	PX	8X	RX	91N	YX	93N	
51	AX																																																																										
54	EX																																																																										
55	HP																																																																										
56	LX																																																																										
58	NX																																																																										
9X	PX																																																																										
8X	RX																																																																										
91N	YX																																																																										
93N																																																																											
51	AB																																																																										
54	EX																																																																										
55	HP																																																																										
56	LX																																																																										
58	NX																																																																										
5X	PX																																																																										
8X	RX																																																																										
91N	YX																																																																										
93N																																																																											
51	AB																																																																										
54	EX																																																																										
55	HP																																																																										
56	LX																																																																										
58	NX																																																																										
5X	PX																																																																										
8X	RX																																																																										
91N	YX																																																																										
93N																																																																											
51	AB																																																																										
54	EX																																																																										
55	HP																																																																										
56	LX																																																																										
58	NX																																																																										
5X	PX																																																																										
8X	RX																																																																										
91N	YX																																																																										
93N																																																																											
92 Sealing Head (60°) BSP Swivel Nut  <table border="1"> <tr><td>51</td><td>BS</td></tr> <tr><td>54</td><td>EX</td></tr> <tr><td>55</td><td>KX</td></tr> <tr><td>56</td><td>LX</td></tr> <tr><td>58</td><td>NX</td></tr> <tr><td>BL</td><td>PX</td></tr> <tr><td>8X</td><td>RX</td></tr> <tr><td>91N</td><td>YX</td></tr> <tr><td>9X</td><td></td></tr> </table>	51	BS	54	EX	55	KX	56	LX	58	NX	BL	PX	8X	RX	91N	YX	9X		AY 59° Sealing Cone UNF Swivel Nut  <table border="1"> <tr><td>51</td><td>-AB-</td></tr> <tr><td>54</td><td>-HX-</td></tr> <tr><td>55</td><td>-KX-</td></tr> <tr><td>56</td><td>-LX 113</td></tr> <tr><td>58</td><td>-NX-</td></tr> <tr><td>5X</td><td>-PX 69</td></tr> <tr><td>8X</td><td>-RX-</td></tr> <tr><td>91N</td><td>-YX-</td></tr> <tr><td>93N</td><td>-</td></tr> </table>	51	-AB-	54	-HX-	55	-KX-	56	-LX 113	58	-NX-	5X	-PX 69	8X	-RX-	91N	-YX-	93N	-	B1 Sealing Head (60°) BSP Swivel Nut 45° Elbow  <table border="1"> <tr><td>51</td><td>AB</td></tr> <tr><td>54</td><td>EX</td></tr> <tr><td>55</td><td>HP</td></tr> <tr><td>56</td><td>LX</td></tr> <tr><td>58</td><td>NX</td></tr> <tr><td>5X</td><td>PX</td></tr> <tr><td>8X</td><td>RX</td></tr> <tr><td>91N</td><td>YX</td></tr> <tr><td>93N</td><td></td></tr> </table>	51	AB	54	EX	55	HP	56	LX	58	NX	5X	PX	8X	RX	91N	YX	93N		B2 Sealing Head (60°) BSP Swivel Nut 90° Elbow  <table border="1"> <tr><td>51</td><td>AB</td></tr> <tr><td>54</td><td>EX</td></tr> <tr><td>55</td><td>HP</td></tr> <tr><td>56</td><td>LX</td></tr> <tr><td>58</td><td>NX</td></tr> <tr><td>5X</td><td>PX</td></tr> <tr><td>8X</td><td>RX</td></tr> <tr><td>91N</td><td>YX</td></tr> <tr><td>93N</td><td></td></tr> </table>	51	AB	54	EX	55	HP	56	LX	58	NX	5X	PX	8X	RX	91N	YX	93N	
51	BS																																																																										
54	EX																																																																										
55	KX																																																																										
56	LX																																																																										
58	NX																																																																										
BL	PX																																																																										
8X	RX																																																																										
91N	YX																																																																										
9X																																																																											
51	-AB-																																																																										
54	-HX-																																																																										
55	-KX-																																																																										
56	-LX 113																																																																										
58	-NX-																																																																										
5X	-PX 69																																																																										
8X	-RX-																																																																										
91N	-YX-																																																																										
93N	-																																																																										
51	AB																																																																										
54	EX																																																																										
55	HP																																																																										
56	LX																																																																										
58	NX																																																																										
5X	PX																																																																										
8X	RX																																																																										
91N	YX																																																																										
93N																																																																											
51	AB																																																																										
54	EX																																																																										
55	HP																																																																										
56	LX																																																																										
58	NX																																																																										
5X	PX																																																																										
8X	RX																																																																										
91N	YX																																																																										
93N																																																																											
C3 Sealing Head Light Series Metric Swivel Nut  <table border="1"> <tr><td>51</td><td>AB</td></tr> <tr><td>54</td><td>EX</td></tr> <tr><td>55</td><td>HP</td></tr> <tr><td>56</td><td>LX</td></tr> <tr><td>58</td><td>NX</td></tr> <tr><td>5X</td><td>PX</td></tr> <tr><td>8X</td><td>RX</td></tr> <tr><td>91N</td><td>YX</td></tr> <tr><td>93N</td><td></td></tr> </table>	51	AB	54	EX	55	HP	56	LX	58	NX	5X	PX	8X	RX	91N	YX	93N		C4 Sealing Head 45° Elbow Light Series Metric Swivel Nut  <table border="1"> <tr><td>51</td><td>AB</td></tr> <tr><td>54</td><td>EX</td></tr> <tr><td>55</td><td>HP</td></tr> <tr><td>56</td><td>LX</td></tr> <tr><td>58</td><td>NX</td></tr> <tr><td>5X</td><td>PX</td></tr> <tr><td>8X</td><td>RX</td></tr> <tr><td>91N</td><td>YX</td></tr> <tr><td>93N</td><td></td></tr> </table>	51	AB	54	EX	55	HP	56	LX	58	NX	5X	PX	8X	RX	91N	YX	93N		C5 Sealing Head 90° Elbow Light Series Metric Swivel Nut  <table border="1"> <tr><td>51</td><td>AB</td></tr> <tr><td>54</td><td>EX</td></tr> <tr><td>55</td><td>HP</td></tr> <tr><td>56</td><td>LX</td></tr> <tr><td>58</td><td>NX</td></tr> <tr><td>5X</td><td>PX</td></tr> <tr><td>8X</td><td>RX</td></tr> <tr><td>91N</td><td>YX</td></tr> <tr><td>93N</td><td></td></tr> </table>	51	AB	54	EX	55	HP	56	LX	58	NX	5X	PX	8X	RX	91N	YX	93N		C6 Sealing Head Heavy Series Metric Swivel Nut  <table border="1"> <tr><td>51</td><td>AB</td></tr> <tr><td>54</td><td>EX</td></tr> <tr><td>55</td><td>HP</td></tr> <tr><td>56</td><td>LX</td></tr> <tr><td>58</td><td>NX</td></tr> <tr><td>5X</td><td>PX</td></tr> <tr><td>8X</td><td>RX</td></tr> <tr><td>91N</td><td>YX</td></tr> <tr><td>93N</td><td></td></tr> </table>	51	AB	54	EX	55	HP	56	LX	58	NX	5X	PX	8X	RX	91N	YX	93N	
51	AB																																																																										
54	EX																																																																										
55	HP																																																																										
56	LX																																																																										
58	NX																																																																										
5X	PX																																																																										
8X	RX																																																																										
91N	YX																																																																										
93N																																																																											
51	AB																																																																										
54	EX																																																																										
55	HP																																																																										
56	LX																																																																										
58	NX																																																																										
5X	PX																																																																										
8X	RX																																																																										
91N	YX																																																																										
93N																																																																											
51	AB																																																																										
54	EX																																																																										
55	HP																																																																										
56	LX																																																																										
58	NX																																																																										
5X	PX																																																																										
8X	RX																																																																										
91N	YX																																																																										
93N																																																																											
51	AB																																																																										
54	EX																																																																										
55	HP																																																																										
56	LX																																																																										
58	NX																																																																										
5X	PX																																																																										
8X	RX																																																																										
91N	YX																																																																										
93N																																																																											

Selection Table for Fittings

	HP	LX	NX	PX	RX	YX	AX	TX	KX	BS	BL	HX	WX
NPTF Male 60° Cone	01	X		X	X	X				X	X		
NPTF Female-rigid	02												
JIC Male-37° Cone	03			X	X		X						
UNF Male/O-ring	05												
JIC-37° Cone	06	X		X	X	X	X	X					
Metric Swivel Strong Series 90° Elbow O-ring	1C			X	X	X							
JIC 37°Cone 45° Elbow	37				X		X						
JIC 37°Cone 90° Elbow	39			X			X						
BSP Male-60° Cone	3B			X	X	X	X						
BSP Swivel 60° Cone	92	X	X	X	X	X	X		X	X	X		
UNF Swivel 59° Cone	AY		X						X			X	
BSP Swivel 45° Elbow	B1				X	X	X						
BSP Swivel 90° Elbow	B2				X	X	X						
Metric Swivel Light Series Cone	C3		X	X	X		X						
Metric Swivel Light Series Cone 45° Elbow	C4												
Metric Swivel Light Series Cone 90° Elbow	C5												
Metric Swivel Strong Series	C6		X	X									
Metric Swivel Strong Series O-ring	C9		X	X	X	X	X	X	X	X	X	X	X
Metric Swivel Light Series O-ring	CA				X		X						
Metric Swivel Light Series 45° Elbow O-ring	CE				X								
Metric Swivel Light Series 90° Elbow O-ring	CF				X								
Metric Male 24° Cone Light Series	D0				X		X						
Metric Male 24° Cone Strong Series	D2			X	X		X						
BSP Male	D9		X		X	X	X						
M16X2 Swivel (Knurled nut)	R8												
BSP Swivel 60° Cone	UO		X	X	X		X		X				
BSP Male- For USIT Ring	Y9		X										
AE Fitting High Pressure 59° Cone UNF-LH	YA		X										
Metric Swivel Nut	YR												
AE Fitting Medium Pressure 59° Cone UNF-LH	Y2												
AE Fitting High Pressure 59° Cone UNF-LH	Y4											X	X
AE Fitting High Pressure 59° Metric cone	YM		X									X	X

C9 24° Sealing Cone / O-Ring Heavy Series Metric Swivel Nut ISO 12151-2  51 AX 54 EX 55 BS 56 LX 58 NX 5X PX 8X RX 9X YX BL HX	CA 24° Sealing Cone / O-Ring Light Series Metric Swivel Nut ISO 12151-2  51 AB 54 EX 55 HP 56 LX 58 NX 5X PX 8X RX 91N YX 93N	CE 24° Sealing Cone / O-Ring 45° Elbow Light Series Metric Swivel Nut ISO 12151-2  51 AB 54 EX 55 HP 56 LX 58 NX 5X PX 8X RX 91N YX 93N	CF 24° Sealing Cone / O-Ring 90° Elbow Light Series Metric Swivel Nut ISO 12151-2  51 AB 54 EX 55 HP 56 LX 58 NX 5X PX 8X RX 91N YX 93N
D0 Metric Male 24° Cone Light Series ISO 12151-2  51 AB 54 EX 55 HP 56 LX 58 NX 5X PX 8X RX 91N YX 93N	D2 Metric Male 24° Cone Heavy Series ISO 12151-2  51 AB 54 EX 55 HP 56 LX 58 NX 5X PX 8X RX 91N YX 93N	D9 BSP Male DIN 3852 Shape A  51 AB 54 EX 55 HP 56 LX 58 NX 5X PX 8X RX 91N YX 93N	R8 Quick Connect Fitting Metric Swivel Nut Knurled  51 AB 54 EX 55 HP 56 LX 58 NX 5X PX 8X RX 91N YX 93N
UO Sealing Head (60°) BSP Swivel Nut  51 AB 54 EX 55 HP 56 LX 58 NX 5X PX 8X RX 91N YX 93N	Y9 BSP Male - for USIT Ring  51 AB 54 EX 55 HP 56 LX 58 NX 5X PX 8X RX 91N YX 93N	YA High Pressure Connector 59° Cone UNF - Left Hand Thread  51 AB 54 EX 55 HP 56 LX 58 NX 5X PX 8X RX 91N YX 93N	YR Quick Connect Fitting Metric Swivel Nut  51 AB 54 EX 55 HP 56 LX 58 NX 5X PX 8X RX 91N YX 93N
Y2 Medium Pressure Connector 59° Cone UNF - Left Hand Thread  51 AB 54 EX 55 HP 56 LX 58 NX 5X PX 8X RX 91N YX 93N	Y4 High Pressure Connector 59° Cone UNF - Left Hand Thread  51 AB 54 EX 55 HP 56 LX 58 NX 5X PX 8X RX 91N HX 93N WX	YM High Pressure Connector 59° Metric Cone Metric - Left Hand Thread  51 AB 54 EX 55 HP 56 LX 58 NX 5X PX 8X RX 91N HX 93N WX	



Type 2020N Mini Control System

APPLICATIONS:

High pressure hose for use with petroleum and synthetic hydraulic oils and gases. Special hose for Mini Control pressure measurement equipment (minimess). Supplied with fittings as specified on the next page. Max length change is +2% / -4% at working pressure.

* Safety factor reduced for diagnostic applications.

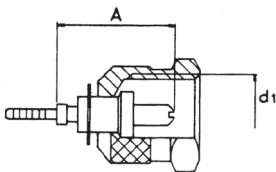
CONSTRUCTION:

Covering: Black Polyamide
 Reinforcement: 1 layer braided synthetic fiber
 Internal: Polyamide
 Temperature range: ±40°C to +100°C for synthetic and oil-based hydraulic oils

#												
Part No	mm	inch	dash	mm	bar	psi	bar	psi	mm	kg/m	Fitting Series	
2020N-012R30	2.0	5/64	-012	4.9	475	6890	1900	27550	20	0.016	EX	
2020N-02V30	3.2	1/8	-02	6.0	400	5800	1600	23200	30	0.023	EX	

Mini control system – HOSE COUPLINGS FOR USE WITH HOSE type 2020N

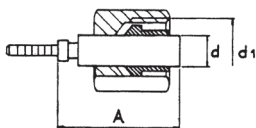
M16x2 Screw lock coupling



Part No	A mm	d mm	d1 mm	P,max bar
801.10.162	19		M16x2	640

Hose Part #	2020N-012R30	2020N-02V30
Fitting Part Numbers	101EX-2-012 101EX-4-012 106EX-4-012 1C9EX-6-012 1C9EX-8-012	106EX-4-02 1C9EX-8-02 201RX-2-2C 206RX-4-2C 2TURX-4-2C 601EX-2-2C

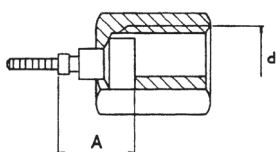
Coupling with pipe socket



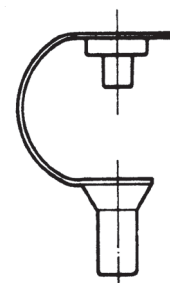
801.32.006	24	6	M14x1,5	640
801.32.008	24	8	M16x1,5	640

Part No of the couplings are complete with pressure sleeve, and includes sleeve with dust plug M16x2 screw lock couplings.

Pressure gauge coupling



801.50.204	25		1/4" BSP	640
801.50.208	25		1/2" BSP	640



Other sizes, thread types and materials available on request



Type 2030T PTFE Teflon Hose

APPLICATIONS:

There are currently no known solvents for PTFE. Can be used for steam, acids, alkalis, articles of food, oils and corroding oils and corroding substances.

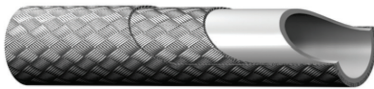
PTFE is highly resistant to natural degradation and aging and does not absorb water. The exceptional low friction resistance minimizes loss of pressure in the hoses.

Type 2030T is well suited for spray painting.

CONSTRUCTION:

Covering: Stainless steel wire braid (reinforcement)
 Reinforcement: 1 layer stainless steel wire braiding
 Internal: Polytetrafluoroethylene PTFE
 Temperature range: +50°C to +150°C (+230°C up to 20 bar)

#											
Part No	mm	inch	dash	mm	bar	psi	bar	psi	mm	kg/m	Fitting Series
2030T-03V70	4.8	3/16	-03	7.8	275	3990	1100	15950	50	0.09	BPX
2030T-04V70	6.3	1/4	-04	9.5	240	3480	960	13920	75	0.13	BPX
2030T-05V70	7.9	5/16	-05	11.5	200	2900	800	11600	100	0.17	BPX
2030T-06V70	9.5	3/8	-06	13.3	175	2540	700	10150	120	0.19	BPX
2030T-08V70	12.7	1/2	-08	16.7	150	2180	600	8700	135	0.29	BPX
2030T-10V70	15.9	5/8	-10	20.0	125	1810	500	7250	160	0.34	BPX
2030T-12V70	19.0	3/4	-12	23.5	100	1450	400	5800	200	0.41	BPX
2030T-16V70	25.4	1	-16	29.0	80	1160	320	4640	250	0.51	BPX



Type 2033T PTFE Teflon Hose

APPLICATIONS:

There are currently no known solvents for PTFE. Can be used for steam, acids, alkalis, articles of food, oils and corroding oils and corroding substances.

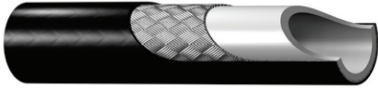
PTFE is highly resistant to natural degradation and aging and does not absorb water. The exceptional low friction resistance minimizes loss of pressure in the hoses.

Type 2030T is well suited for spray painting.

CONSTRUCTION:

Covering: Stainless steel wire braid (reinforcement)
 Reinforcement: 2 layers stainless steel wire braiding
 Internal: Polytetrafluoroethylene PTFE
 Temperature range: +50°C to +150°C (+230°C up to 20 bar)

#											
Part No	mm	inch	dash	mm	bar	psi	bar	psi	mm	kg/m	Fitting Series
2033T-04V70	6.3	1/4	-04	11.0	275	3990	1100	15950	75	0.23	PX
2033T-05V70	7.9	5/16	-05	13.2	250	3630	1000	14500	100	0.26	PX
2033T-06V70	9.5	3/8	-06	15.0	225	3260	900	13050	120	0.34	PX
2033T-08V70	12.7	1/2	-08	18.8	200	2900	800	11600	135	0.47	PX
2033T-10V70	15.9	5/8	-10	21.5	175	2540	700	10150	160	0.53	PX
2033T-12V70	19.0	3/4	-12	25.5	150	2180	600	8700	200	0.69	PX
2033T-16V70	25.4	1	-16	31.0	125	1810	500	7540	250	0.81	PX



Type 520N Standard Specifications Exceed SAE 100 R8

APPLICATIONS:

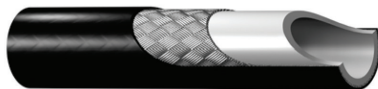
High pressure hose for use with oil-based and synthetic hydraulic oils, as well as gases.
Low volumetric expansion and small outer diameter due to aramid fiber reinforcement.
Also available as dual- or multi-hose.
Max length change is +/- 2% at working pressure.

Given pressures are indicative. Maximum working pressure is dependent on temperature and medium.

Construction:
Covering: Black pin-pricked Polyurethane
Reinforcement: 1 layer braided synthetic aramid fiber
Internal: Polyamide
Temperature range: +40°C to +100°C for synthetic and oil-based hydraulic oils

Note: For Non-conductive use 528N.

#											
Part No	mm	inch	dash	mm	bar	psi	bar	psi	mm	kg/m	Fitting Series
520N-03	4.8	3/16	-03	10.9	345	5000	1380	20000	38	0.07	55/56
520N-04	6.3	1/4	-04	13.0	345	5000	1380	20000	51	0.10	55/56
520N-05	7.9	5/16	-05	14.5	310	4500	1240	18000	64	0.12	55/56
520N-06	9.5	3/8	-06	16.5	275	4000	1100	16000	64	0.12	55/56
520N-08	12.7	1/2	-08	20.6	240	3500	960	14000	102	0.20	55/56



Type 575X High Pressure Low Volumetric Expansion

APPLICATIONS:

High pressure hose for use with oil-based and synthetic hydraulic oils. Especially designed for applications where low volumetric expansion and stable pressure is required.
Max length change is +/- 2% at working pressure.
Given pressures are indicative. Maximum working pressure is dependent on temperature and medium.

CONSTRUCTION:

Covering: Black special Polyurethane
Reinforcement: 1 or 2 layers braided synthetic aramid fiber
Internal: Polyamide
Temperature range: +40°C to +100°C for synthetic and oil-based hydraulic oils max. 70°C for water or methanol-based fluids

#											
Part No	mm	inch	dash	mm	bar	psi	bar	psi	mm	kg/m	Fitting Series
575X-03	4.8	3/16	-03	10.8	345	5000	1380	20000	38	0.07	55/56
575X-04	6.3	1/4	-04	12.8	345	5000	1380	20000	51	0.10	55/56
575X-06	9.5	3/8	-06	16.3	345	5000	1380	20000	76	0.13	55/56
575X-08	12.7	1/2	-08	20.6	345	5000	1380	20000	102	0.20	55/56
575X-12	19.0	3/4	-12	29.2	345	5000	1380	20000	203	0.53	58H
575X-16	25.9	1	-16	40.2	345	5000	1380	20000	254	0.70	58H



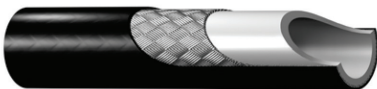
Type 2022N Light weight control devices

APPLICATIONS:

Flexible and lightweight with excellent pressure capabilities. Smooth bore for improved flow rate and low pressure drop. ISO 13628-5 "Specification for Subsea Production Control Umbilicals". Used for long-length hose and hose umbilicals requiring lightweight construction, offshore pressure control devices, high pressure tools, hydraulics, pneumatics and lubricating oils.

Construction:
Covering: Black Polyamid
Reinforcement: 2 layers braided synthetic fibers
Internal: Polyamide
Temperature range:
+40°C to +100°C for synthetic- and oil-based hydraulic oils

#												
Part No	mm	inch	dash	mm	bar	psi	bar	psi	mm	kg/m	Fitting Series	
2022N-04V91-5K	6,4	1/4	-6	12,7	345	5 000	1380	20 000	51	0,12	55*	
2022N-04V91-10K	6,4	1/4	-6	13,8	690	10 000	2760	40 000	100	0,14	8X	
2022N-06V91-5K	9,5	3/8	-10	16,1	345	5 000	1380	20 000	76	0,15	55*	
2022N-06V91-10K	9,5	3/8	-10	19,0	690	10 000	2760	40 000	100	0,24	3X	
2022N-08V91-5K	12,7	1/2	-12	20,8	345	5 000	1380	20 000	102	0,17	55*	
2022N-08V91-10K	12,7	1/2	-12	23,2	690	10 000	2760	40 000	100	0,34	LX	



Type 2040N Multi-use Hose DIN 20 022 Part 1

APPLICATIONS:

High pressure hose for hydraulic systems with petroleum, synthetic or water based hydraulic oils. Also ideal for grease, gases and paint spraying. Max length change is +/- 2% at working pressure. Given pressures are indicative. Maximum working pressure is dependent on temperature and medium.

CONSTRUCTION:

Covering: Black Polyurethane
Reinforcement: 1 layer steel wire braiding
Internal: Polyamide
Temperature range:
+40°C to +100°C for synthetic- and oil-based hydraulic oils

Available in other colors

#												
Part No	mm	inch	dash	mm	bar	psi	bar	psi	mm	kg/m	Fitting Series	
2040N-02V00	3.2	1/8	-02	7.0	350	5075	1400	20300	30	0.07	PX	
2040N-03V00	4.8	3/16	-03	9.8	340	4930	1360	19720	30	0.11	56/PX	
2040N-04V00	6.3	1/4	-04	11.9	310	4495	1240	17980	40	0.16	56/PX	
2040N-05V00	7.9	5/16	-05	14.0	250	3625	1000	14500	50	0.21	56/PX	
2040N-06V00	9.5	3/8	-06	15.9	240	3480	960	13920	60	0.24	56/PX	
2040N-08V00	12.7	1/2	-08	19.3	185	2680	740	10730	75	0.29	56/PX	
2040N-10V00	16.0	5/8	-10	23.5	140	2030	560	8120	110	0.39	PX	
2040N-12V00	19.1	3/4	-12	26.7	125	1810	500	7250	170	0.50	PX	
2040N-16V00	25.0	1	-16	33.5	100	1450	400	5800	230	0.60	PX	

THERMOPLASTIC HOSES HIGH PRESSURE

2



**Type 2244N/2245N
SAE 100 R9/R10**

APPLICATIONS:

High pressure hydraulic systems for petroleum- and synthetic-based hydraulic oils, spray painting, gases and aggressive media. Ideal for hydraulic and rescue tools.

3/4" and 1" hoses are DNV type-approved.

Given pressures are indicative. Maximum working pressure is dependent on temperature and medium.

CONSTRUCTION:

Covering: Black Polyurethane (Polyurethane from 5/8")

Reinforcement: 2 layers steel wire spiral and 1 layer steel wire braiding

Internal: Polyamide

Temperature range: +40°C to +100°C for oil-based hydraulic oils (to +125°C for shorter periods)

#													
Part No	mm	inch	dash	mm	bar	psi	bar	psi	mm	kg/m	Fitting Series		
2244N-06V00	9.5	3/8	-06	18.0	535	7760	2150	31175	120	0.50	8X		
2244N-08V10	12.7	1/2	-08	22.7	550	7970	2200	31900	150	0.80	8X		
2244N-20V30	32.0	1 1/4	-20	44.0	275	3990	1100	15950	400	1.83	NX		
2245N-04V00	6.3	1/4	-04	12.5	450	6530	1800	26100	70	0.25	NX		
2245N-05V00	8.0	5/16	-05	14.3	400	5800	1600	23200	100	0.32	NX		
2245N-06V00	9.5	3/8	-06	17.0	375	5440	1500	21750	120	0.42	NX		
2245N-08V00	12.7	1/2	-08	20.7	350	5080	1400	20300	165	0.52	NX		
2245N-10V30	15.9	5/8	-10	24.5	330	4780	1320	19140	200	0.72	NX		
2245N-12V30	19.0	3/4	-12	28.5	300	4350	1200	17400	240	0.92	NX		
2245N-16V30	25.4	1	-16	34.0	275	3990	1100	15950	280	1.15	NX		



**Type 2370N/H Universal
DIN 20 022 Part 2**

APPLICATIONS:

High pressure hydraulic systems for petroleum- and synthetic-based hydraulic oils and gases and aggressive media. Ideal for hydraulic and rescue tools.

For CNG use, the hose is only sold pre-assembled with fittings including kink guards.

Also available as dual- or multi-hose.

Max length change is +/- 2% at working pressure.

Given pressures are indicative. Maximum working pressure is dependent on temperature and medium.

CONSTRUCTION:

Covering: Black Polyurethane

Reinforcement: 2 layers steel wire spiral and 2 layers braided synthetic fiber

Internal H: Polyester Elastomer

Internal N: Polyamide

Temperature range: +40°C to +100°C for oil-based hydraulic oils (to +120°C for shorter periods). V91 has PA11 inside. For paint spraying, use fittings series NX

#													
Part No	mm	inch	dash	mm	bar	psi	bar	psi	mm	kg/m	Fitting Series		
2370N-04V10	6.3	1/4	-04	12.4	465	6740	1860	26970	70	0.19	RX		
2370N-05V10	8.2	5/16	-05	14.3	440	6380	1760	25520	100	0.25	RX		
2370N-06V10	9.7	3/8	-06	16.4	420	6090	1680	24360	120	0.33	9X		
2370N-08V10	12.8	1/2	-08	19.6	350	5075	1400	20300	150	0.42	9X		
2370N-06V91	9.9	3/8	-06	16.5	430	6250	1725	25000	120	0.33	RX		
2370H-08V10	12.8	1/2	-08	19.6	350	5075	1400	20300	150	0.42	9X		



Type 714 Spray Paint Hose

APPLICATIONS:

Type 714 is a special hose for high pressure spray paint designed to meet the market demands. The steel wire braiding makes the hose 100% electrically conductive. Inner tube specially designed for chlorinated solvents. The polyurethane covering provides excellent flexibility and durability. Also excellent for use as a hydraulic hose.

CONSTRUCTION:

Covering: Blue Polyurethane
Reinforcement: 1 layer steel wire braiding
Internal: Polyamide
Temperature range: +40°C to +100°C for synthetic- and oil-based hydraulic oils

#											
Part No	mm	inch	DN	mm	bar	psi	bar	psi	mm	kg/m	Fitting Series
714-03	4.7	3/16	DN 05	9.3	345	5000	1380	20000	30	0.10	PX
714-04	6.5	1/4	DN 06	11.8	310	4500	1240	18000	40	0.16	PX
714-05	8.0	5/16	DN 08	13.6	250	3600	1000	14500	51	0.19	PX
714-06	9.6	3/8	DN 10	15.5	240	3500	960	14000	63	0.25	PX
714-08	12.7	1/2	DN 13	18.6	190	2750	760	11000	75	0.31	PX
714-10	16.0	5/8	DN 16	23.5	145	2100	580	8400	100	0.43	PX
714-12	19.0	3/4	DN 20	27.0	130	1850	520	7500	150	0.50	PX
714-16	25.5	1	DN 25	33.5	100	1450	400	5800	230	0.62	PX



Type 715 Spray Paint Hose

APPLICATIONS:

Type 715 is a special hose for high pressure spray paint designed to meet the market demands. The steel wire braiding makes the hose 100% electrically conductive. Inner tube specially designed for chlorinated solvents. The polyurethane covering provides excellent flexibility and durability. Also excellent for use as a hydraulic hose.

CONSTRUCTION:

Covering: Blue Polyurethane
Reinforcement: 2 layers steel wire braiding
Internal: Polyamide
Temperature range: +40°C to +100°C for synthetic- and oil-based hydraulic oils

#											
Part No	mm	inch	dash	mm	bar	psi	bar	psi	mm	kg/m	Fitting Series
715-04	6.5	1/4	DN 06	13.6	450	6500	1790	26000	100	0.30	HPX
715-05	8.0	5/16	DN 08	15.4	395	5750	1580	23000	110	0.35	HPX
715-06	9.6	3/8	DN 10	17.5	345	5000	1380	20000	127	0.42	HPX
715-08	12.7	1/2	DN 13	21.4	275	4000	1100	16000	178	0.51	HPX
715-10	16.0	5/8	DN 16	25.4	210	3000	840	12000	203	0.69	HPX
715-12	19.0	3/4	DN 20	28.5	175	2500	700	10000	241	0.89	HPX
715-16	25.5	1	DN 25	36.1	135	2000	540	8000	305	1.12	HPX

THERMOPLASTIC HOSES ULTRA HIGH PRESSURE - CHEMJEC



Type 2380N
Exceed SAE R10

APPLICATIONS:

High pressure hydraulic systems for petroleum- and synthetic-based hydraulic oils.
Ideal for hydraulic and rescue tools.
Given pressures are indicative. Maximum working pressure is dependent on temperature and medium.

CONSTRUCTION:

Covering: Black Polyurethane (other colors on request)
Reinforcement: 2 layers steel wire spiral and 2 layers steel wire braid
Internal: Polyamide. V91 has methanol-washed PA11
Temperature range: +40°C to +100°C for oil-based hydraulic oils, V91 also for methanol-based fluids

#											
Part No	mm	inch	dash	mm	bar	psi	bar	psi	mm	kg/m	Fitting Series
2380N-04V00	6.3	1/4	-04	13.3	700	10150	2800	40600	70	0.32	8X
2380N-04V91	6.4	1/4	-04	13.5	690	10000	2760	40000	70	0.27	LX/8X
2380N-05V00	7.9	5/16	-05	15.7	625	9625	2500	36250	90	0.41	8X
2380N-06V91	9.8	3/8	-06	17.9	517	7500	2070	30000	120	0.44	8X
2380N-08V91	9.8	1/2	-08	22.9	517	7500	2070	30000	150	0.68	LX

Also available in twin design



Type 2380M
Exceed ISO 13628-5

APPLICATIONS:

Withstands high pressure cycles with no signs of stress cracking.
Proven to handle methanol. High collapse resistance (HCR) and also providing longer service life. Extremely low permeability. High pressure, high temperature, low volumetric expansion hose. Long length subsea umbilical hose. Excellent chemical resistance. Available in long continuous length up to 3,000 m.

CONSTRUCTION:

Covering: Black PA12
Reinforcement: High strength wire
Internal: Coextruded core tube with fluoropolymer inside
Temperature range: -40°C up to +100°C, short term 125°C

#											
Part No	mm	inch	dash	mm	bar	psi	bar	psi	mm	kg/m	Fitting Series
2380M-04V38	6.4	1/4	-04	13.4	690	10000	2800	40000	230	0.27	8X
2380M-05V38	8.3	5/16	-05	15.8	600	8700	2400	34800	90	0.35	LX

Also available in twin design

THERMOPLASTIC HOSES ULTRA HIGH PRESSURE



Type 2388N
Exceed SAE R10

APPLICATIONS:

High pressure hydraulic systems for petroleum and synthetic based hydraulic oils. Ideal for hydraulic and rescue tools.
Given pressures are indicative. Maximum working pressure is dependent on temperature and medium.

CONSTRUCTION:

Covering: Black Polyurethane (other colors on request)
Reinforcement: 2 layers steel wire spiral and 2 layer steel wire braid
Internal: Polyamide
Temperature range: +40°C to +100°C for oil-based hydraulic oils

#											
Part No	mm	inch	dash	mm	bar	psi	bar	psi	mm	kg/m	Fitting Series
2388N-04V00	6.3	1/4	-04	13.3	800	11600	3200	46600	80	0.305	8X



Type 2X80N

APPLICATIONS:

High pressure hydraulic systems for petroleum- and synthetic-based hydraulic oils.
Ideal for hydraulic and rescue tools.
Given pressures are indicative. Maximum working pressure is dependent on temperature and medium.

CONSTRUCTION:

Covering: Black Polyurethane
Reinforcement: Steel wire and aramid combination
Internal: Polyamide
Temperature range: +40°C to +100°C for oil-based hydraulic oils

#											
Part No	mm	inch	dash	mm	bar	psi	bar	psi	mm	kg/m	Fitting Series
2X80N-04V10	6.3	1/4	-04	13.4	700	10150	2800	40600	38	0.237	8X
2X80N-06V10	9.8	3/8	-06	18.6	700	10150	2800	40600	70	0.540	LX
2X80N-12V10	19.8	3/4	-12	30.0	450	6525	1800	26100	100	1.080	LX



Type 2390N (V91)

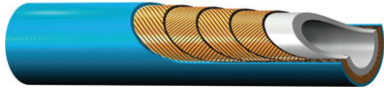
APPLICATIONS:

High pressure hydraulic systems for petroleum- and synthetic-based hydraulic oils.
Ideal for hydraulic and rescue tools.
Given pressures are indicative. Maximum working pressure is dependent on temperature and medium.

CONSTRUCTION:

Covering: Black Polyurethane
Reinforcement: Steel wire and aramid combination
Internal: Polyamide PA11
Temperature range: +40°C to +100°C for oil-based hydraulic oils

#											
Part No	mm	inch	dash	mm	bar	psi	bar	psi	mm	kg/m	Fitting Series
2390N-06V91	9.8	3/8	-06	18.1	445	6454	1780	25800	120	0.41	9X
2390N-08V91	12.9	1/2	-08	21.2	415	6015	1660	24070	150	0.57	9X
2390N-12V91	19.4	3/4	-12	28.8	350	5075	1400	20300	300	0.90	9X
2390N-16V91	25.2	1	-16	35.0	280	4061	1120	16200	280	1.17	9X
2390N-06V91-10K	9.5	3/8	-06	18.4	712	10320	1780	25800	180	0.33	9X



Type 2448N (V91)
Umbilical hose

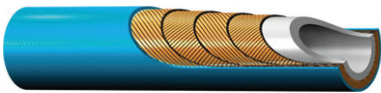
APPLICATIONS:

Available in long lengths for use in subsea umbilicals.

CONSTRUCTION:

Covering: Black PA12
 Reinforcement: 4 layers steel wire spiral
 Internal: Methanol washed PA11
 Temperature range: +40°C to +100°C
 +70°C for water- or methanol-based fluids

#												
Part No	mm	inch	dash	mm	bar	psi	bar	psi	mm	kg/m	Fitting Series	
2448N-04V91	6.0	1/4	-04	13.8	1035	15000	4140	60000	150	0.38	8X	
2448N-06V91	10.0	3/8	-06	20.3	1035	15000	4140	60000	190	0.74	*	
2448N-08V91	12.9	1/2	-08	22.7	865	12500	3450	50000	200	0.94	LX	



Type 2440D/2440N
Ultra high pressure Hose

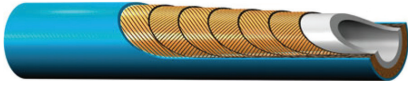
APPLICATIONS:

For use with petroleum or synthetic hydraulic fluids, gases and chemicals. Well suited for hydraulic prestress tools, test rigs and offshore oil applications. The hose is marked with manufacturer, type of hose, working pressure and production date. Also available as pin-prickled - add -P after Part No.

CONSTRUCTION:

Covering: 2440D Blue Polyamide
 2440N Black Polyamide
 Reinforcement: 4 layers steel wire spiral
 Internal: 2440D Polyoxymethylene
 2440N Polyamide
 Temperature range: +40°C to +70°C

#												
Part No	mm	inch	dash	mm	bar	psi	bar	psi	mm	kg/m	Fitting Series	
2440D-025V32	3.9	5/32	-025	10.4	2200	31900	5500	79750	100	0.21	LX	
2440D-03V32	4.7	3/16	-03	11.5	1800	26090	4400	65220	120	0.25	LX	
2440D-04V32	6.3	1/4	-04	12.5	1640	23770	4100	59420	155	0.33	LX	
2440D-05V32	8.0	5/16	-05	15.1	1500	21740	3750	54350	175	0.44	LX	
2440N-06V30	9.7	3/8	-06	19.4	1400	20290	3500	50720	190	0.70	LX	
2440N-08V30	12.8	1/2	-08	22.5	1300	18840	3250	47100	200	0.94	LX	
2440N-12V30	19.6	3/4	-12	30.0	1000	14490	2500	36230	250	1.39	LX	
2440N-16V30	25.0	1	-16	37.0	900	13040	2250	32610	300	1.90	LX	
2440N-06V91	9.8	3/8	-06	19.5	865	12500	3450	50000	190	0.73	LX	
2440N-08V91	10.9	1/2	-08	22.6	690	10000	2760	40000	200	0.94	LX	
2440N-12V91	19.8	3/4	-12	30.2	690	10000	2500	36250	250	1.46	LX	
2440N-16V91	25.2	1	-16	37.2	560	8120	2250	32625	300	2.0	LX	
2440N-16V91-10k	25.2	1	-16	37.2	690	10000	2250	32625	300	2.0	LX	



Type 2640D/2640N
Ultra high pressure Hose

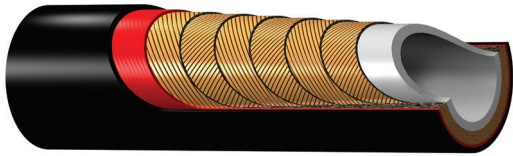
APPLICATIONS:

For use with petroleum or synthetic hydraulic fluids and chemicals. Well suited for hydraulic prestress tools, test rigs and offshore oil applications. The hose is marked with manufacturer, type of hose, working pressure and production date.

CONSTRUCTION:

Covering: Blue Polyamide
Reinforcement: 6 layers steel wire spiral
Internal: 2640D Polyoxymethylene
Internal: 2640N Polyamide
Temperature range: +40°C to +70°C

#												
Part No	mm	inch	dash	mm	bar	psi	bar	psi	mm	kg/m	Fitting Series	
2640D-025V32	4.0	5/32	-025	12.0	2800	40600	7000	101500	140	0.29	5X	
2640D-03V32	4.8	3/16	-03	13.0	2500	36230	6250	90580	175	0.41	5X	
2640D-05V32	7.9	5/16	-05	16.9	2100	30430	5250	76090	225	0.68	5X	
2640N-08V32	12.7	1/2	-08	24.5	1800	26090	4500	65220	290	1.36	5X	
2640N-12V32	19.0	3/4	-12	33.0	1400	20290	3500	50720	350	2.10	5X	
2640N-12V91	19.8	3/4	-12	33.2	865	12500	3450	50000	350	2.16	5X	



Back Eagle + Colorgard™

MAIN FEATURES

- COLORGARD, dual colour safety feature with extra thick cover for superior abrasion resistance.
- Polyamide-11 core tube for cleanliness
- Weight up to 27.5 kg/m
- Smaller OD than flexible pipe allows more hose per reel
- Excellent chemical resistance providing long service life in sea water

APPLICATIONS:

Flexible, lightweight, chemical resistant alternative to steel or flexible pipe. Used for high volume pumping in well service applications such as cementing, chemical injection and other onshore and subsea well stimulation operations. Available in long continuous lengths (500m to 2,000m depending on size).

CONSTRUCTION:

Core tube: PA11
 Pressure reinforcement: High strength wire
 Cover: Extra thick polyurethane cover
 Colour: ColorGard™ Safety feature (red inner, black outer cover)

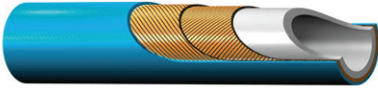
Temperature range: -40°C up to +70°C

Back Eagle

#												
Part No	mm	inch	dash	mm	bar	psi	bar	psi	mm	kg/m	Fitting Series	
2448N-20V80	50.5	1.1/4	-20	55.5	690	10000	1725	25000	400	3.80	LX	
2640N-24V80	38.0	1.1/2	-24	70.5	690	10000	2300	33350	500	7.20	5X	
2640N-24V80-15k	38.0	1.1/2	-24	66.0	1035	15000	2330	33750	500	6.50	5X	
2448N-32V80	50.5	2	-32	80.5	345	5000	1380	20000	500	8.50	BL/5X	
2580N-32V80	50.5	2	-32	84.5	690	10000	1725	25000	800	9.40	BL/5X	
2648N-32V80	50.5	2	-32	86.0	1035	15000	2330	33750	800	12.10	CX	
2240N-48V80	75.0	3	-48	114.0	345	5000	862	12500	1000	11.50	TX	
2440N-48V80	75.0	3	-48	122.0	690	10000	1380	20000	1100	18.70	LX	
2640N-48V80	75.0	3	-48	130.0	1035	15000	2330	33750	1200	27.50	5X	

Golden Eagle

#												
Part No	mm	inch	dash	mm	bar	psi	bar	psi	mm	kg/m	Fitting Series	
2640M-24V88	38.0	1.1/2	-24	70.5	690	10000	2300	33350	600	7.20	5X	
2448M-32V88	51.0	2	-32	82.0	345	5000	1380	20000	600	8.50	BL/5X	
2580M-32V88	51.5	2	-32	84.5	690	10000	1725	25000	600	9.40	BL	



Type 2240D
Ultra high pressure - Pipe cleaning

APPLICATIONS:

Ultra high pressure hose for cleaning of pipes, heat exchangers, etc. in the chemical and oil industries. The hose can be used as a flexible lance with pressure over 750 bar.

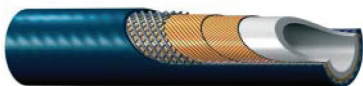
The hose is available as a special hose with stainless steel wicker work for added external protection.

The hose is marked with manufacturer, type of hose, working pressure and production date.

CONSTRUCTION:

Covering: Blue Polyamide
Reinforcement: 2 layers steel wire spiral
Internal: Polyoxymethylene
Temperature range: +10°C to +70°C for water

#													Fitting Series
Part No	mm	inch	dash	mm	bar	psi	bar	psi	mm	kg/m			
2240D-02V32	3.0	1/8	-02	7.0	1100	16950	2750	39875	60	0.07			TX/AX
2240D-025V32	4.0	5/32	-025	7.7	1200	17400	3000	43500	75	0.10			TX/AX
2240D-03V32	4.8	3/16	-03	9.5	1000	14500	2800	40580	95	0.20			TX/AX
2240D-04V32	6.3	1/4	-04	11.5	1000	14500	2500	36230	110	0.26			TX/AX
2240D-05V32	7.9	5/16	-05	13.3	900	13050	2250	32610	120	0.22			TX/AX



Type 2388N
Ultra high pressure - "Blueline" Water Jetting

APPLICATIONS:

Ultra high pressure hose for cleaning-applications. Particularly suitable for use in water jet cleaning in production, shipbuilding, ships, tanks, concrete work, etc.

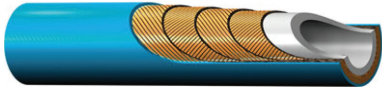
Well suited for removing dirt, rust, paint, cement, asphalt, etc.

The hose is marked with manufacturer, type of hose, working pressure and production date.

CONSTRUCTION:

Covering: Blue Polyurethane, RAL 5001
Reinforcement: 2 layers steel wire spiral and 2 open layers steel wire spiral
Internal: Polyamide
Temperature range: +40°C to +70°C for water

#													Fitting Series
Part No	mm	inch	dash	mm	bar	psi	bar	psi	mm	kg/m			
2388N-04V12W	6.3	1/4	-04	13.3	1280	18560	3200	46400	80	0.30			BS
2388N-08V12W	13.0	1/2	-08	23.0	1100	15950	2750	39875	100	0.80			BS



Type 2440D/2440N Ultra high pressure - Water Jetting

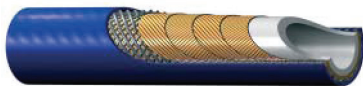
APPLICATIONS:

Ultra high pressure hose for cleaning-applications. Particularly suitable for use in water jet cleaning in production, shipbuilding, ships, tanks, concrete work, etc. Well suited for removing dirt, rust, paint, cement, asphalt, etc. The hose is marked with manufacturer, type of hose, working pressure and production date.

CONSTRUCTION:

Covering: Polyamide, V32=Blue, V30=Black
 Reinforcement: 4 layers steel wire spiral
 Internal: 2440D Polyoxymethylene
 Internal: 2440N Polyamide
 Temperature range: +40°C to +70°C for water

#											Fitting Series
Part No	mm	inch	dash	mm	bar	psi	bar	psi	mm	kg/m	
2440D-025V32	4.0	5/32	-025	10.4	2200	31900	5500	79750	100	0.21	LX
2440D-03V32	4.8	3/16	-03	11.5	1800	26090	4400	65220	120	0.28	LX
2440D-04V32	6.4	1/4	-04	12.5	1640	23770	4100	59420	155	0.33	LX
2440D-05V32	8.1	5/16	-05	15.1	1500	21740	3750	54350	175	0.44	LX
2440N-06V30	9.7	3/8	-06	19.4	1400	20290	3500	50720	190	0.73	LX
2440N-08V30	12.8	1/2	-08	22.5	1300	18840	3250	47100	200	0.94	LX
2440N-12V30	19.6	3/4	-12	30.0	1000	14490	2500	36230	250	1.39	LX
2440N-16V30	25.0	1	-16	37.0	900	13040	2250	32610	300	2.00	LX



Type 2580N Ultra high pressure -“Blueline” Water Jetting

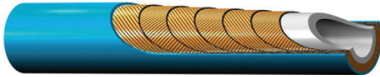
APPLICATIONS:

Ultra high pressure hose for cleaning-applications. Particularly suitable for use in water jet cleaning in production, shipbuilding, ships, tanks, concrete work, etc. Well suited for removing dirt, rust, paint, cement, asphalt, etc. The hose is marked with manufacturer, type of hose, working pressure and production date.

CONSTRUCTION:

Covering: Blue Polyurethane
 Reinforcement: 4 layers steel wire spiral and 2 open layers steel wire spiral
 Internal: Polyamide
 Temperature range: +40°C to +70°C for water

#											Fitting Series
Part No	mm	inch	dash	mm	bar	psi	bar	psi	mm	kg/m	
2580N-06V12	9.8	3/8	-06	21.6	1600	23200	4000	58000	95	0.94	BL
2580N-08V12	12.9	1/2	-08	25.0	1400	20300	3500	50750	110	1.19	BL
2580N-12V12	19.8	3/4	-12	32.6	1200	17400	3000	43500	170	1.76	BL




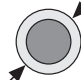




Type 2640D/2640N
Ultra high pressure - Water Jetting

APPLICATIONS:

Ultra high pressure hose for cleaning-applications. Particularly suitable for use in water jet cleaning in production, shipbuilding, ships, tanks, concrete work, etc. Well suited for removing dirt, rust, paint, cement, asphalt, etc. The hose is marked with manufacturer, type of hose, working pressure and production date.

CONSTRUCTION:

Covering: Blue Polyamide
Reinforcement: 6 layers steel wire spiral
Internal: 2640D Polyoxymethylene
Internal: 2640N Polyamide
Temperature range: +40°C to +70°C for water

#																	
Part No	mm	inch	dash	mm	bar	psi	bar	psi	mm	kg/m	Fitting Series						
2640D-025V32	4.0	5/32	-025	12.0	2800	40600	7000	101500	140	0.29	HX/5X						
2640D-03V32	4.8	3/16	-03	13.0	2500	36230	6250	90580	175	0.41	HX/5X						
2640D-04V32	6.4	5/16	-04	14.6	2500	36250	6250	90625	200	0.64	HX/5X						
2640D-05V32	8.0	5/16	-05	16.9	2100	30430	5250	76090	225	0.68	HX/5X						
2640N-08V32	12.8	1/2	-08	24.5	1800	26090	4500	65220	290	1.36	HX/5X						
2640N-12V32	19.6	3/4	-12	33.0	1400	20290	3500	50720	350	2.10	HX/5X						
2640N-16V32	25.0	1	-16	40.0	1200	17390	3000	43480	400	2.90	HX/5X						



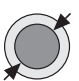





Type 2740D
Ultra high pressure - Water Jetting

APPLICATIONS:

Ultra high pressure hose for cleaning-applications. Particularly suitable for use in water jet cleaning in production, shipbuilding, ships, tanks, concrete work, etc. Well suited for removing dirt, rust, paint, cement, asphalt, etc. The hose is marked with manufacturer, type of hose, working pressure and production date.

CONSTRUCTION:

Covering: Red or yellow Polyamide
Reinforcement: 6 layers steel wire spiral
Internal: Polyoxymethylene
Temperature range: +40°C to +70°C for water

#																	
Part No	mm	inch	dash	mm	bar	psi	bar	psi	mm	kg/m	Fitting Series						
2740D-025V16	4.0	5/32	-025	12.0	3000	43500	7800	113100	120	0.40	HX						
2740D-03V34	4.8	3/16	-03	13.2	2800	40600	7000	101500	200	0.47	HX						
2740D-05V34	7.8	5/16	-05	17.2	2500	36250	6250	90625	200	0.70	HX						
2740D-08V30	12.7	1/2	-08	27.0	2000	29000	5000	72500	300	1.85	HX						



Type 2840D
Ultra high pressure - Water Jetting

APPLICATIONS:

Ultra high pressure hose for cleaning-applications. Particularly suitable for use in water jet cleaning in production, shipbuilding, ships, tanks, concrete work, etc. Well suited for removing dirt, rust, paint, cement, asphalt, etc. Can replace the steel pipes where flexibility is required. The hose is marked with manufacturer, type of hose, working pressure and production date.

CONSTRUCTION:

Covering: Red Polyamide
Reinforcement: 8 layers steel wire spiral
Internal: Polyoxymethylene
Temperature range: +40°C to +70°C for water

#													Fitting Series
Part No	mm	inch	dash	mm	bar	psi	bar	psi	mm	kg/m			
2840D-03V34	4.8	3/16	-03	15.0	4000	58000	8000	116000	200	0.66			WX
2840D-05V34	7.8	5/16	-05	19.5	3000	43500	7000	101500	250	1.10			WX
2840D-08V30	12.7	1/2	-08	29.8	2500	36250	6250	90625	350	2.50			WX

Ratings Code

G -Good to excellent. Little or no swelling, tensile or surface changes. Preferred choice.

L -Marginal or conditional. Noticeable effects but not necessarily indicating lack of safety. Further testing suggested for specific application.

P -Poor or unsatisfactory. Not recommended without extensive and realistic testing.

- -Indicates that this was not tested.

Material Code for Hose Core Tubes		polyflex® / Parflex® Part Numbers
H	Polyester elastomer	2040H, 2370H, 515H, 518B, 518C, 550H, 558H, 55LT, 560, 590, 593, 1202LT
N	Polyamide	2010N, 2020N, 2X20N, 2040N, 2244N, 2245N, 2370N, 2440N, 2380N, 2640N, 520N, 540N, 573X, 573XL, 575X, 580N, 588N, HP, HP8
PV	Polyvinylchloride (PVC)	GPH
NC	Nylon co polymer	510A, 515A
TFE	Polytetrafluorethylene (PTFE)	2030T, 2033T, 919, 929, 939/939B, 919U
POM	Polyoxymethylene	2440D, 2640D
Material Code for Hose Covers		
U	Polyurethane	2010N, 2040N, 2040H, 2244N, 2245N, 2370H, 2370N, 2380N, 510, 830, 838, 515A, 515H, 510A, 518B, 540N, 550H, 558H, 560, 520N, 580N, 588N, 590, 593, HP, HP8, 919U
HF	Special elastomer	55LT, 1202LT
PV	Polyvinylchloride (PVC)	GPH
H	Polyester elastomer	2040N
PFX	Special elastomer	518C
N	Polyamide	2010N, 2020N, 2X20N, 2440D, 2440N, 2640D, 2245N, 2244N
Material Code for Sealing Components		
V	FKM O-rings	

Notes on the Chemical Resistance Table

- (1) The fluid resistance tables are simplified rating tabulations based on immersion tests at 24° C. Higher temperatures tend to reduce ratings. **Since final selection depends on pressure, fluid and ambient temperature and other factors not known to Parker Hannifin, no performance guarantee is expressed or implied.** The indications do not imply any compliance with standards and regulations and do not refer to possible changes of colour, taste or smell. For food and drinking water specially approved materials have to be used. For fluids not listed or for advice on particular applications, please consult Parker Hannifin GmbH, Polyflex Division in Hüttenfeld, Germany.
- (2) Hose applications for these fluids must take into account legal and insurance regulations. The chemical resistance indicated does not express or imply approval by certain institutions.
- (3) Satisfactory at some concentrations and temperatures, unsatisfactory at others.
- (4) For gas applications, the cover should be pin-pricked and the pressure must not be released quickly. Special safety guard accessories are to be used to prevent damage or personal injury in the event of failure.
- (5) Chemical resistance does not imply low permeation rates. Please consult Parker Hannifin for a recommendation for your specific requirements
- (6) The indication of chemical resistance does not imply any special food compatibility; it refers only to the chemical resistance of the material.
- (7) Chemical resistance does not imply acceptability for use in airless paintspray applications. These applications require a special, electrically conductive hose.

CHEMICAL TABLE THERMOPLASTIC HOSES

2

Chemical	H	N	U/HF	V	NC	O	OC	PFX	HFR	FEP	TFE	POM
Acetaldehyde	G	L	L	P	-	L	P	L	G	G	G	-
Acetic Acid Glacial	L	L	L	G	P	G	L	L	L	L	G	-
Acetone	L	G	P	P	G	P	P	P	L	G	G	L
Acetylene	-	-	-	-	-	-	-	-	-	-	-	-
Air (4)	G	G	G	G	G	G	G	G	G	G	G	G
Ammonium Chloride	G	P	G	G	P	G	G	G	G	L	G	-
Ammonium Hydroxyde	L	G	P	L	-	G	G	P	L	G	G	-
Anhydrous Ammonia	P	P	P	P	P	P	P	P	P	-	P	-
Aniline	P	P	P	P	P	L	P	P	P	G	G	-
Animal Oils (6)	G	G	G	G	G	P	P	G	G	-	G	-
Aromatic Hydrocarbons	L	G	L	P	G	P	-	L	L	-	G	-
Asphalt	G	G	G	G	G	L	L	G	G	L	G	-
Baygon (insecticide)	L	G	P	-	-	-	-	P	L	-	G	-
Beer	G	G	G	G	-	G	G	G	G	G	G	-
Benzene	L	G	L	P	L	P	P	L	L	G	G	-
Brake Fluid (DOT #3)	-	G	P	P	-	P	P	P	-	-	G	L
Butane (2) (4)	G	G	L	L	P	L	P	L	G	-	-	-
Butter (6)	G	G	G	G	-	G	G	G	G	-	G	-
Calcium Chloride	G	-	G	L	-	G	G	G	G	G	G	-
Carbon Dioxide (4)	G	G	G	G	G	G	G	G	G	-	-	-
Carbon Monoxide (4)	G	-	G	G	-	L	-	G	G	-	-	-
Carbon Tetrachloride	L	G	P	L	G	P	P	P	L	G	G	-
Castor Oil	G	L	L	G	L	P	P	L	G	-	G	-
Chlordane (insecticide)	L	G	P	-	-	-	-	P	L	-	-	-
Chlorinated Hydrocarbon Base Fluids	L	G	L	P	-	-	-	L	L	-	G	-
Chlorinated Petroleum Oil	G	G	L	-	L	-	-	L	G	-	-	-
Chlorinated Solvents	P	-	P	L	-	L	L	P	P	-	G	-
Chlorine, Gaseous, Dry	P	P	P	G	P	L	P	P	P	-	-	-
Chloroform	P	P	P	P	P	P	P	P	P	G	G	-
Chromic Acid	P	-	P	G	P	-	L	P	P	L	G	-
Citric Acid Solutions	G	G	L	G	G	G	G	L	G	G	G	-
Crude Petroleum Oil	G	G	G	G	G	P	P	G	G	-	G	G
Cyclohexane (2)	G	G	G	-	-	P	P	G	G	G	G	-
Cygon (insecticide)	L	G	P	-	-	-	-	P	L	-	-	-
Diazion (insecticide)	L	G	P	-	-	-	-	P	L	-	-	-
Diesel Fuel (2)	G	G	G	L	G	P	P	G	G	-	G	G
Diester Oils	L	G	P	P	-	P	P	P	L	-	G	-
Enamels	G	G	G	L	-	L	L	G	G	-	G	-
Ethanol (6)	G	G	L	L	L	G	G	L	G	-	G	G
Ethers	L	G	P	L	G	L	P	P	L	G	G	P
Ethylene Glycol	G	G	L	G	G	G	G	L	G	G	G	G
Ethylene Oxide	G	G	L	P	-	L	L	L	G	-	-	-
Fatty Acids	G	G	-	G	G	L	L	-	G	G	G	-
Formaldehyde	L	L	P	L	L	G	L	P	L	G	G	-
Formic Acid J	P	P	P	G	P	G	G	P	P	G	G	-

CHEMICAL TABLE THERMOPLASTIC HOSES

Chemical	H	N	U/HF	V	NC	O	OC	PFX	HFR	FEP	TFE	POM
Freon 12 (5)	P	G	L	G	G	L	-	L	P	-	-	-
Freon 22 (5)	P	G	L	G	G	L	-	L	P	-	-	-
Fruit Juices	G	G	G	G	-	G	G	G	G	-	G	-
Fuel Oil (2)	G	G	L	L	G	P	P	L	G	G	G	G
Gas (Oil) (2)	G	G	G	G	G	P	P	G	G	-	G	-
Gasoline	G	G	-	P	G	P	P	-	G	G	G	-
Glue	-	-	-	-	-	-	-	-	-	-	-	-
Glycerine	G	G	L	G	G	G	G	L	G	G	G	-
Glycols (to 1350 °F)	G	G	L	G	G	-	-	L	G	G	G	G
Grease (petroleum base)	G	G	G	G	G	L	L	G	G	-	G	G
Heptachlor (insecticide)	L	G	P	L	-	P	P	P	L	-	G	-
Hexane (2)	G	G	G	L	G	P	P	G	G	G	G	-
Houghto Safe-1000 Series (phosphate esters)	L	G	P	G	G	P	P	P	L	-	G	-
Houghto Safe-600 Series (hydraulic fluid)	G	G	L	G	G	G	L	L	G	-	G	-
Hydraulic Fluid (petroleum base)	G	G	G	G	G	L	L	G	G	L	G	G
Hydraulic Fluid (phosphate ester base)	L	G	L	L	G	P	P	P	L	-	G	-
Hydraulic Fluid (water glycol base)	G	G	G	L	G	-	-	G	G	-	G	-
Hydraulic Oil (petroleum base)	G	G	G	G	G	L	P	G	G	L	G	G
Hydrochloric Acid	P	L	P	L	P	L	P	P	P	G	G	-
Hydrofluoric Acid	P	P	P	L	P	L	P	P	P	G	G	-
Hydrogen, Gaseous (2) (4) (5)	G	G	G	G	G	G	G	G	G	-	-	-
Hydrolube (hydraulic fluid/water glycol base)	G	G	L	G	G	G	G	L	G	-	G	-
IRUS 902 (hydraulic fluid/water-oil emulsion)	G	G	G	G	G	L	P	G	G	-	G	-
Isocyanates (2)	L	L	L	P	-	L	P	L	L	-	G	-
Isooctane (2)	G	G	G	L	G	L	P	L	G	G	G	-
Isopropyl Alcohol	G	G	L	L	G	G	L	L	G	G	G	-
Kerosene (2)	G	G	L	L	G	L	P	P	G	G	G	-
Ketones	L	G	P	P	G	G	P	P	L	G	G	-
Lacquer Solvents	L	G	P	P	-	L	-	P	L	L	G	-
Lactic Acid	P	G	P	G	G	G	G	P	P	G	G	-
Lime (calcium oxide)	G	G	G	G	-	G	G	G	G	G	G	-
Lindol (hydraulic fluid/phosphate esters)	L	G	P	-	-	-	-	P	L	-	G	-
Linseed Oil	G	G	G	L	G	L	P	G	G	G	G	G
LP-Gas	-	-	-	-	-	-	-	-	-	-	-	-
Lubricating Oils (diester base)	L	G	P	-	G	-	-	P	L	-	G	-
Lubricating Oils (petroleum base)	G	G	G	G	G	L	P	G	G	G	G	G
Magnesium Hydroxide	L	G	L	G	-	G	G	L	L	G	G	-
Magnesium Salts	-	G	G	G	-	G	-	G	-	-	G	-
Malathion (insecticide)	L	G	P	-	-	-	-	P	L	-	G	-
Mercury	G	G	G	G	G	G	G	G	G	G	G	-
Meropa Oil (sulphur base)	G	G	-	-	-	-	-	-	-	-	G	-

CHEMICAL TABLE THERMOPLASTIC HOSES

2

Chemical	H	N	U/HF	V	NC	O	OC	PFX	HFR	FEP	TFE	POM
Methane	-	-	-	-	-	-	-	-	-	-	-	-
Methanol	G	G	P	P	G	L	P	P	G	-	G	-
Methoxychlor (insecticide)	L	G	P	-	-	-	-	P	L	-	G	-
Methyl Alcohol (6)	G	G	P	P	G	L	P	P	G	G	G	G
Methyl Ethyl Ketone (MEK)	L	G	P	P	G	G	L	P	L	G	G	L
Methyl Ethyl Ketone Peroxide (MEKP)	-	L	P	-	-	-	-	P	-	-	G	-
Methyl Isobutyl Ketone (MIBK)	L	G	P	P	G	L	P	P	L	G	G	-
Methylene Chloride	P	L	P	L	P	L	P	P	P	G	G	P
Milk (6)	G	G	G	G	-	G	G	G	G	G	G	-
Mineral Oil	G	G	G	G	G	L	P	G	G	G	G	G
Mineral Spirits	P	-	L	P	-	-	-	L	P	-	G	-
Motor Oils	G	G	G	G	G	-	-	G	G	G	G	-
Naphta	L	G	P	P	G	P	P	P	L	G	G	G
Natural Gas (4)	-	-	-	-	-	-	-	-	-	-	-	-
Nitric Acid	P	P	P	L	P	P	P	P	P	L	G	-
Nitrobenzene	P	G	P	P	G	P	P	P	P	G	G	-
Nitrogen, Gaseous (4) (5)	G	G	G	G	G	G	G	G	G	G	G	-
Nitrous Oxide	-	L	-	G	-	L	-	G	-	-	-	-
Oil (SAE)	G	G	G	G	G	L	L	G	G	-	G	G
Oil of Turpentine	G	G	P	G	G	P	P	P	G	-	G	-
Oleic Acid	G	G	G	L	G	L	L	G	G	G	G	-
OS 45 Type 3 Hydraulic Fluid (silicate esters)	L	G	L	P	-	P	P	L	L	-	-	-
Oxygen, Gaseous (4) (5) (6)	G	G	G	G	G	G	G	G	G	G	G	-
Ozone	L	P	L	G	P	L	G	P	L	G	G	-
Paint (Oil Base) (7)	G	G	G	P	-	L	P	G	G	-	G	-
Paint Solvents (Oil base)	L	G	L	P	-	P	P	L	L	-	G	-
Pentane (2)	G	G	L	L	-	P	P	L	G	G	G	-
Perchloric Acid	P	P	P	L	P	P	P	P	P	L	G	-
Perchloroethylene	P	P	P	L	P	P	P	P	P	-	G	L
Petroleum Ether	-	-	-	P	-	P	P	-	-	-	-	-
Petroleum Oils	G	G	G	G	G	L	P	G	G	-	G	-
Phenols	P	P	P	L	P	P	P	P	P	-	G	-
Phosphate Esters (above 135 °F)	P	G	P	P	-	P	P	P	L	-	G	-
Phosphate Esters (to 135 °F)	G	G	P	P	G	P	P	P	G	-	G	-
Polyol Esters	L	G	P	P	-	-	-	P	L	-	G	-
Potassium Hydroxide, 50%	P	P	P	L	-	L	L	P	P	G	G	-
Propane (4) (5)	-	-	-	-	-	-	-	-	-	-	-	-
Propylene Glycol	-	-	G	G	-	G	L	-	-	G	G	-
Pydraul 312C, 625 (to 135 °F)	P	G	P	P	G	P	P	P	G	-	G	-
Pydraul F-9, 150, 160 (to 135 °F)	G	G	P	P	G	P	P	P	G	-	G	-
Quintolubric 822 Fluid	-	G	G	-	-	-	-	-	-	-	G	-
Salt Water	-	-	-	-	-	-	-	-	-	G	G	-
Sevin (insecticides in water)	G	G	G	-	-	-	-	G	G	-	G	-
Silicone Greases	G	G	G	G	G	-	-	G	G	-	G	-

Chemical	H	N	U/HF	V	NC	O	OC	PFX	HFR	FEP	TFE	POM
Silicone Oils	G	G	G	G	G	-	-	G	G	-	G	-
Skydrol 500 & 7000	L	G	P	P	G	P	P	P	L	G	G	-
Soap Solutions	G	G	G	G	G	G	G	G	G	G	G	-
Soda Water	G	G	G	G	G	-	-	G	G	-	G	-
Sodium Borate	G	G	G	G	G	G	G	G	G	G	G	-
Sodium Carbonate	-	-	-	-	-	-	-	-	-	-	-	-
Sodium Chloride Solutions	G	G	G	G	-	G	-	G	G	G	G	-
Sodium Hydroxide, 50%	L	P	P	L	P	L	L	P	L	G	G	-
Sodium Hypochloride	L	P	P	L	-	-	-	P	L	G	G	-
Steam	P	P	P	P	P	P	P	P	P	G	G	-
Stoddard Solvent	P	G	P	L	G	P	P	P	P	G	G	-
Straight Synthetic Oils (phosphate esters)	L	G	P	P	G	-	-	P	L	-	G	-
Sulphur	G	G	G	G	-	L	G	G	G	G	G	-
Sulphur Dioxide	P	L	L	L	-	P	-	L	P	G	G	-
Sulphur Hexafluoride Gas (4) (5)	G	G	G	G	-	G	-	G	G	-	G	-
Sulphuric Acid	P	P	P	-	P	P	P	P	P	-	G	-
Toluol, Toluene	L	G	L	P	G	P	P	P	L	G	G	G
Transmission Fluid	G	G	G	P	G	-	-	G	G	-	G	-
Trichlorethylene	P	L	P	L	G	P	P	P	P	G	G	L
Trisodium Phosphate Solutions	L	G	P	G	G	G	G	P	L	G	G	-
Turpentine	G	G	L	L	G	P	P	P	G	G	G	-
Ucon (hydraulic fluid/water glycol base)	G	G	L	G	G	-	-	L	G	-	G	-
Varnish	G	G	G	P	G	G	L	G	G	-	G	G
Vinegar (6)	L	G	L	G	G	G	G	L	L	G	G	-
Water (above 60 °C) (6)	P	G	P	L	-	P	P	P	P	L	G	-
Water (to 60 °C) (6)	G	G	G	G	G	G	G	L	G	G	G	G
Water Glycols (above 60 °C)	P	G	P	L	-	P	P	P	P	-	G	-
Water Glycols (to 60 °C)	G	G	L	G	G	L	L	L	G	-	G	-
Water in oil Emulsions (above 60 °C)	P	G	P	L	-	-	-	P	P	-	G	-
Water in oil Emulsions (to 60 °C)	G	G	L	G	G	-	-	L	G	-	G	G
Whiskey, Wines (6)	G	G	L	G	G	G	G	G	G	G	G	-
Wood Oils	G	G	L	G	G	-	-	G	G	-	G	G
Xylene	L	G	P	P	G	P	P	P	L	G	G	G
Zinc Chloride	G	G	G	G	P	G	G	G	G	G	G	-



