

Group 6
Nipples
Flare Fittings
SAE Flanges



Page	Contents
2	Index
3-4	Carbon Steel and Stainless Steel Nipples and Adaptors. BSP
5-6	Carbon Steel and Stainless Steel Nipples and Adaptors. Metric and NPSM
7	Flare Fittings, SAE J514 Pressure Table and Technical Information
8-13	Flare Fittings, SAE J514 Steel and Stainless Steel Fittings
14	DBS Gaskets, Thread Tape and High pressure Swivels
15	Plastic Plugs for Hydraulic Fittings
16-21	Steel and Stainless Steel SAE Flanges. 3000/6000 psi Split Flanges
22	O-rings and Bolts for Steel and Stainless Steel SAE Flanges. 3000/6000psi
23	Flare Fittings SAE J514, Flaring Tools

NIPPLES/ADAPTORS BSP-BSP

BSP nipples and adaptors are supplied with gasket surface in accordance with DIN 3901, DIN 3852 form D.
Material quality: Carbon steel in accordance with BS 970 EN 1A. Galvanized and chromated in accordance with BS 1706 CL. ZN3

For Stainless Steel, add SS after Part No. Other dimensions and material qualities on request.



Thread 1	Thread 2	Nipple Part No. 101	Bulkhead Part No. 102	Swivel Out./in. Part No. 108	Nipple Socket Out./in. Part No. 109	Socket Part No. 111	Reduction Out./in. Part No. 114	Nipple BSP/NPT Part No. 122
1/8	1/8	-0202	-0202	-0202	-0202	-0202		-0202
1/8	1/4	-0204		-0204	-0204	-0204		-0204
1/8	3/8	-0206		-0206		-0206	-0602	-0206
1/8	1/2	-0208				-0208		
1/4	1/8			-0402			-0402	-0402
1/4	1/4	-0404	-0404	-0404	-0404	-0404		-0404
1/4	3/8	-0406		-0406	-0406	-0406		-0406
1/4	1/2	-0408		-0408	-0408	-0408		-0408
1/4	5/8	-0410						
3/8	1/4			-0604			-0604	-0604
3/8	3/8	-0606	-0606	-0606	-0606	-0606		-0606
3/8	1/2	-0608		-0608	-0608	-0608		-0608
3/8	5/8	-0610		-0610	-0610	-0610		
3/8	3/4	-0612			-0612	-0612	-1206	-0612
1/2	1/4			-0804			-0804	-0804
1/2	3/8			-0806			-0806	-0806
1/2	1/2	-0808	-0808	-0808	-0808	-0808		-0808
1/2	5/8	-0810		-0810	-0810	-0810		
1/2	3/4	-0812		-0812	-0812	-0812		-0812
1/2	1	-0816		-0816		-0816	-1608	-0816
5/8	1/2			-1008			-1008	-1008
5/8	5/8	-1010	-1010	-1010	-1010	-1010		
5/8	3/4	-1012		-1012	-1012	-1012		-1012
3/4	1/2			-1208			-1208	-1208
3/4	3/4	-1212	-1212	-1212	-1212	-1212		-1212
3/4	1	-1216		-1216	-1216	-1216		-1216
3/4	1 1/4	-1220					-2012	-1220
1	3/4			-1612	-1612			-1612
1	1	-1616	-1616	-1616	-1616	-1616		-1616
1	1 1/4	-1620		-1620	-1620	-1620		-1620
1	1 1/2	-1624				-1624	-2416	-1624
1 1/4	1			-2016			-2016	-2016
1 1/4	1 1/4	-2020	-2020	-2020	-2020	-2020		-2020
1 1/4	1 1/2	-2024			-2024	-2024		-2024
1 1/2	1 1/4				-2420			-2420
1 1/2	1 1/2	-2424	-2424	-2424	-2424	-2424		-2424
1 1/2	2	-2432		-2432	-2432	-2432		-2432
2	1 1/2						-3224	-3224
2	2	-3232		-3232	-3232	-3232		-3232

NIPPLES/ADAPTORS BSP-BSP

BSP nipples and adaptors are supplied with gasket surface in accordance with DIN 3901, DIN 3852 form D.
Material quality: Carbon steel in accordance with BS 970 EN 1A.
Galvanized and chromated in accordance with BS 1706 CL. ZN3

For Stainless Steel, add SS after Part No. Other dimensions and material qualities on request.



Thread 1	Thread 2	Locknut Part No. 103	Plug Part No. 110	Conical Nipple Part No. 112	Cap Part No. 120	Banjo w/ bolt Part No. 184	Swivel Nipple 90° Part No. 201	Nipple 90° Part No. 210	Swivel Socket Part No. 211
1/8	1/8	-02	-02	-0202	-02	-	-0202	-0202	-0202
1/4	1/4	-04	-04	-0404	-04	-0404	-0404	-0404	-0404
3/8	3/8	-06	-06	-0606	-06	-0606	-0606	-0606	-0606
1/2	1/2	-08	-08	-0808	-08	-0808	-0808	-0808	-0808
5/8	5/8	-10	-10	-1010	-10	-1010	-1010	-1010	-1010
3/4	3/4	-12	-12	-1212	-12	-1212	-1212	-1212	-1212
1	1	-16	-16	-1616	-16	-1616	-1616	-1616	-1616
1¼	1¼	-20	-20	-2020	-20	-	-2020	-	-
1½	1½	-	-24	-2424	-24	-	-	-	-
2	2	-	-32	-3232	-32	-	-	-	-

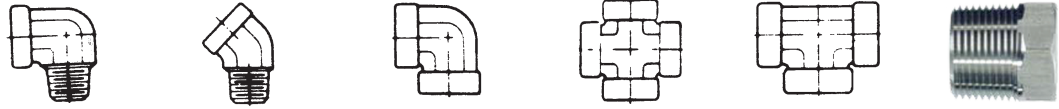
For Stainless Steel, add SS after Part No. Other dimensions and material qualities on request.



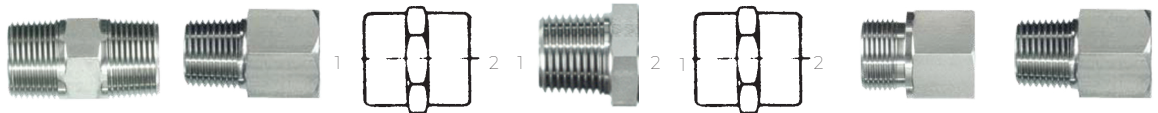
Thread 1	Thread 2	Swivel Nipple 45° Part No. 301	T-nipple Part No. 401	T-swivel Part No. 402	T-swivel Out./in. Part No. 403	T-swivel Out./in. Part No. 404	T-swivel Out./in. Part No. 405	Swivel 90° Part No. 411
1/8	1/8	-	-0202	-	-	-	-	-
1/4	1/4	-0404	-0404	-0404	-0404	-0404	-0404	-0404
3/8	3/8	-0606	-0606	-0606	-0606	-0606	-0606	-0606
1/2	1/2	-0808	-0808	-0808	-0808	-0808	-0808	-0808
3/4	3/4	-1212	-1212	-1212	-1212	-1212	-1212	-1212
1	1	-1616	-1616	-1616	-1616	-1616	-1616	-1616

NIPPLES/ADAPTORS NPT-NPT and BSP-NPT

Material quality: Carbon steel in accordance with ASTM A 576, cadmium-plated and chromated.
For Stainless Steel, add SS after Part No. Other dimensions and material qualities on request.

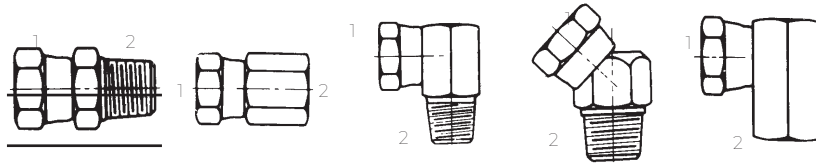


Thread 1	Thread 2	Nipple Socket Part No. CD	Nipple Socket 45° Part No. CD45	Socket 90° Part No. DD	Cross Part No. KMMO	T Part No. MMO	Plug Part No. HP
1/8	1/8	-0202	-0202	-0202	-0202	-0202	-02
1/4	1/4	-0404	-0404	-0404	-0404	-0404	-04
3/8	3/8	-0606	-0606	-0606	-0606	-0606	-06
1/2	1/2	-0808	-0808	-0808	-0808	-0808	-08
5/8	5/8	-1010	-1010	-1010	-1010	-1010	-10
3/4	3/4	-1212	-1212	-1212	-1212	-1212	-12
1	1	-1616	-1616	-1616	-1616	-1616	-16
1 1/4	1 1/4	-	-	-2020	-2020	-2020	-20



Thread 1	Thread 2	Nipple Part No. FF	Nipple Socket Part No. FG	Socket Part No. GG	Reduction Part No. PTR	Socket BSP x NPT Part No. 222	Nipple Socket BSP x NPT Part No. 223	Nipple Socket NPT x BSP Part No. 224
1/8	1/8	-0202		-0202				
1/8	1/4		-0204					
1/4	1/8	-0402		-0402	-0402			
1/4	1/4	-0404		-0404				
1/4	3/8		-0406					
1/4	1/2		-0408					
3/8	1/8	-0602		-0602	-0602			
3/8	1/4	-0604		-0604	-0604			
3/8	3/8	-0606		-0606				
3/8	1/2		-0608					
1/2	1/8	-0802			-0802			
1/2	1/4	-0804		-0804	-0804	-0804	-0804	-0804
1/2	3/8	-0806		-0806	-0806	-0806	-0806	-0806
1/2	1/2	-0808		-0808	-0808	-0808	-0808	-0808
1/2	3/4		-0812					
1/2	1		-0816					
3/4	1/4	-1204		-1204	-1204			
3/4	3/8	-1206		-1206	-1206			
3/4	1/2	-1208		-1208	-1208	-1208	-1208	-1208
3/4	3/4	-1212		-1212		-1212	-1212	-1212
3/4	1		-1216			-1216	-1216	-1216
1	3/8				-1606			
1	1/2				-1608			
1	3/4	-1612			-1612			
1	1	-1616		-1616		-1616	-1616	-1616
1 1/4	3/4				-2012			
1 1/4	1				-2016			
1 1/4	1 1/4	-2020		-2020				
1 1/4	1 1/2		-2024					
1 1/2	1				-2416			
1 1/2	1 1/4				-2420			
1 1/2	1 1/2	-2424		-2424				
2	1 1/2				-3224			
2	2	-3232		-3232				

Material quality: Carbon steel in accordance with ASTM A108, cadmium-plated and chromated.
For Stainless Steel, add SS after Part No. Other dimensions and material qualities on request.



Thread 1	Thread 2	Swivel Nipple Part No. 0107	Swivel Socket Part No. 0207	Swivel Socket 90° Part No. 2107	Swivel Nipple 45° Part No. 3107	Swivel Socket 90° Part No. 2207
1/8	1/8	-0202	-0202	-0202	-0202	-0202
1/4	1/8	-0402				
1/4	1/4	-0404	-0404	-0404	-0404	-0404
1/4	3/8	-0406		-0406		
3/8	1/4	-0604		-0604		
3/8	3/8	-0606	-0606	-0606	-0606	-0606
3/8	1/2	-0608		-0608	-0608	
1/2	1/4	-0804				
1/2	3/8	-0806		-0806		
1/2	1/2	-0808	-0808	-0808	-0808	-0808
1/2	3/4	-0812		-0812	-0812	
3/4	1/2	-1208		-1208		
3/4	3/4	-1212	-1212	-1212	-1212	-1212
3/4	1	-1216		-1216	-1216	
1	3/4	-1612				
1	1	-1616	-1616	-1616	-1616	-1616
1 1/4	1	-2016				
1 1/4	1 1/4	-2020	-2020	-2020	-2020	-2020
1 1/2	1 1/2	-2424	-2424	-2424	-2424	-2424
2	2	-3232	-3232	-3232	-3232	-3232

Working Pressure

1/8"	420 BAR
1/4"	420 BAR
3/8"	280 BAR
1/2"	280 BAR
3/4"	210 BAR
1"	175 BAR
1 1/4"	140 BAR
1 1/2"	140 BAR
2"	105 BAR

Safety Factor 4:1



FLARE FITTINGS Hydraulic Fittings - Carbon Steel

FLARE FITTINGS

TYPE:

HTXS - ETXS - JTXS - KTXS - WTXWLNS - WETXWLNS - FNTXS - PNTXS - TRTXS - TT4XS - F40XS - F50XS - C50XS - S50XS - R50XS - F650XS - F870MXS - F64XS

Dim. 06 mm to 20 mm./Dash -04 to -12.
Dim. 30 mm / Dash -16.
Dim. 30 mm / Dash - 20.
Dim. 38 mm / Dash - 24.

Max. working pressure= 500 Bar.
Max. working pressure= 400 Bar.
Max. working pressure= 315 Bar.
Max. working pressure= 210 Bar.

TYPE:

FTXS - CTXS - VTXS - STXS - RTX - GTX - G4XS MO - F6XS - V50XS - C6XS - V6XS - S6XS - R6XS.

Dim. 06 mm to 20 mm./Dash -04 to -12.
Dim. 25 mm / Dash-16.
Dim. 30 mm / Dash - 20.
Dim. 38 mm / Dash - 24.

Max. working pressure= 460 Bar.
Max. working pressure= 370 Bar.
Max. working pressure= 280 Bar.
Max. working pressure= 190 Bar.

TYPE:

C40XS - V40XS - S40XS - R40XS

Dim. 06 mm to 20 mm./Dash -04 to -12.
Dim. 25 mm / Dash-16.
Dim. 30 mm / Dash - 20.
Dim. 38 mm / Dash - 24.

Max. working pressure= 460 Bar.
Max. working pressure= 330 Bar.
Max. working pressure= 230 Bar.
Max. working pressure= 190 Bar.

MAX. WORKING PRESSURE:

Pressure indicates values from calculating P max specified in the original Flare Fittings specifications.

Burst pressure:

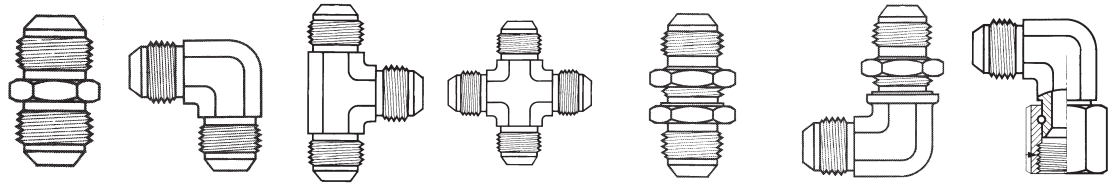
Minimum basis from the nominal working pressure: PN x 4.

Example: Part no. HTXS P max pressure: 500 Bar.
 PN pressure: 350 Bar.

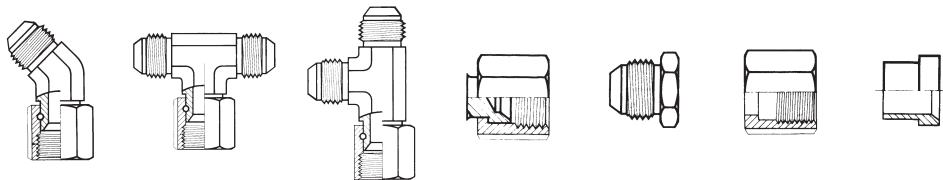
NOTE: Our Part No. differs slightly from Parker's original Part No.

FLARE FITTINGS SAE J514 JIC - JIC

For Stainless Steel, add SS after Part No. Other dimensions and material qualities on request.



Pipe O.D. mm	Thread JIC 37°	Straight Union Part No. HTXS	90° Union Part No. ETXS	T-Union Part No. JTXS	Cross-Union Part No. KTXS	Straight Bulkhead Part No. WTXWLNS	90° Bulkhead Part No. WETXLNS	90° w/Swivel Part No. C6XS
6	7/16-20	4HTXS	4ETXS	4JTXS	4KTXS	4WTXWLNS	4WETXLNS	4C6XS
8	1/2-20	5HTXS	5ETXS	5JTXS	5KTXS	5WTXWLNS	5WETXLNS	5C6XS
10	9/16-18	6HTXS	6ETXS	6JTXS	6KTXS	6WTXWLNS	6WETXLNS	6C6XS
12	3/4-16	8HTXS	8ETXS	8JTXS	8KTXS	8WTXWLNS	8WETXLNS	8C6XS
14-16	7/8-14	10HTXS	10ETXS	10JTXS	10KTXS	10WTXWLNS	10WETXLNS	10C6XS
18-20	1 1/16-12	12HTXS	12ETXS	12JTXS	12KTXS	12WTXWLNS	12WETXLNS	12C6XS
25	1 5/16-12	16HTXS	16ETXS	16JTXS	16KTXS	16WTXWLNS	16WETXLNS	16C6XS
30-32	1 5/8-12	20HTXS	20ETXS	20JTXS	20KTXS	20WTXWLNS	20WETXLNS	20C6XS
38	1 7/8-12	24HTXS	24ETXS	24JTXS	24KTXS	24WTXWLNS	24WETXLNS	24C6XS

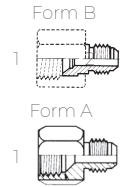


Pipe O.D. mm	Thread JIC 37°	45° w/ Swivel Part No. V6XS	T w/ Swivel Part No. S6XS	T w/ Swivel Part No. R6XS	Cap Part No. FNTXS	Plug Part No. PNTXS	Nut Part No. BTXS	Support Ring Part No. TXS	Nickel Seat Seal Part No. SCX
6	7/16-20	4V6XS	4S6XS	4R6XS	4FNTXS	4PNTXS	4BTXS	TXS06	SCX06
8	1/2-20	5V6XS	5S6XS	5R6XS	5FNTXS	5PNTXS	5BTXS	TXS08	SCX08
10	9/16-18	6V6XS	6S6XS	6R6XS	6FNTXS	6PNTXS	6BTXS	TXS10	SCX10
12	3/4-16	8V6XS	8S6XS	8R6XS	8FNTXS	8PNTXS	8BTXS	TXS12	SCX12
14	7/8-14	10V6XS	10S6XS	10R6XS	10FNTXS	10PNTXS	10BTXS	TXS14	SCX14
15	7/8-14	10V6XS	10S6XS	10R6XS	10FNTXS	10PNTXS	10BTXS	TXS15	SCX15
16	7/8-14	10V6XS	10S6XS	10R6XS	10FNTXS	10PNTXS	10BTXS	TXS16	SCX16
18	1 1/16-12	12V6XS	12S6XS	12R6XS	12FNTXS	12PNTXS	12BTXS	TXS18	SCX18
20	1 1/16-12	12V6XS	12S6XS	12R6XS	12FNTXS	12PNTXS	12BTXS	TXS20	SCX20
25	1 5/16-12	16V6XS	16S6XS	16R6XS	16FNTXS	16PNTXS	16BTXS	TXS25	SCX25
30	1 5/8-12	20V6XS	20S6XS	20R6XS	20FNTXS	20PNTXS	20BTXS	TXS30	SCX30
32	1 5/8-12	20V6XS	20S6XS	20R6XS	20FNTXS	20PNTXS	20BTXS	TXS32	SCX32
38	1 7/8-12	24V6XS	24S6XS	24R6XS	24FNTXS	24PNTXS	24BTXS	TXS38	SCX38

Copper seat seal on request.

FLARE FITTINGS SAE J514 JIC - JIC

Pipe 1 O.D. mm	Pipe 2 O.D. mm	Thread 1 JIC 37°	Thread 2 JIC 37°	Reduction Part No. TRTXS
8	6	1/2-20	7/16-20	54TRTXS*
10	6	9/16-18	7/16-20	64TRTXS
10	8	9/16-18	1/2-20	65TRTXS*
12	6	3/4-16	7/16-20	84TRTXS
12	8	3/4-16	1/2-20	85TRTXS
12	10	3/4-16	9/16-18	86TRTXS
14-16	6	7/8-14	7/16-20	104TRTXS
14-16	8	7/8-14	1/2-20	105TRTXS
14-16	10	7/8-14	9/16-18	106TRTXS
14-16	12	7/8-14	3/4-16	108TRTXS*
18-20	6	1 1/16-12	7/16-20	124TRTXS
18-20	8	1 1/16-12	1/2-20	125TRTXS
18-20	10	1 1/16-12	9/16-18	126TRTXS
18-20	12	1 1/16-12	3/4-16	128TRTXS
18-20	14-16	1 1/16-12	7/8-14	1210TRTXS*
25	10	1 5/8-12	9/16-18	166TRTXS
25	12	1 5/8-12	3/4-16	168TRTXS
25	14-16	1 5/8-12	7/8-14	1610TRTXS
25	18-20	1 5/8-12	1 1/16-12	1612TRTXS
30-32	10	1 5/8-12	9/16-18	206TRTXS
30-32	12	1 5/8-12	3/4-16	208TRTXS
30-32	14-16	1 5/8-12	7/8-14	2010TRTXS
30-32	18-20	1 5/8-12	1 1/16-12	2012TRTXS
30-32	25	1 5/8-12	1 5/16-12	2016TRTXS
38	14-16	1 7/8-12	7/8-14	2410TRTXS
38	18-20	1 7/8-12	1 1/16-12	2412TRTXS
38	25	1 7/8-12	1 5/16-12	2416TRTXS
38	30-32	1 7/8-12	1 7/8-12	2420TRTXS

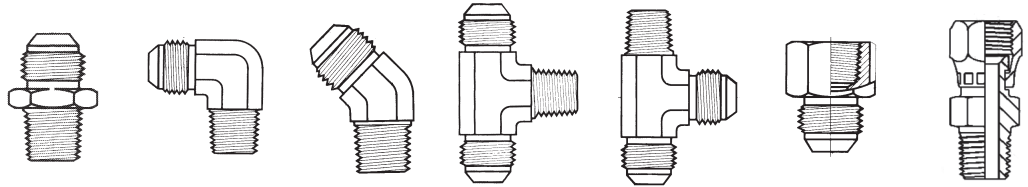


*Form A, these reductions are in one piece.

Form B: loose nut must be ordered in addition; BTXS page 4-8

FLARE FITTINGS SAE J514 JIC - NPT

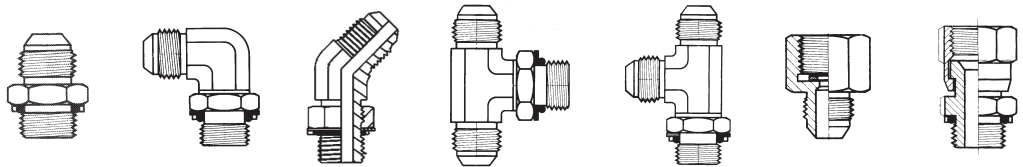
For Stainless Steel, add SS after Part No. Other dimensions and material qualities on request.



Pipe O.D. mm	Thread JIC 37°	Thread NPT	Straight Male Part No. FTXS	90° Male Part No. CTXS	45° Male Part No. VTXS	T Male Part No. STXS	T Male Part No. RTXS	Straight Female Part No. GTXS	Swivel Female Part No. F6XS
6	7/16-20	1/8	4FTXS	4CTXS	4VTXS	4STXS	4RTXS	4GTXS	4F6XS
6	7/16-20	1/4	44FTXS	44CTXS	44VTXS			44GTXS	44F6XS
6	7/16-20	3/8	46FTXS						
6	7/16-20	1/2	48FTXS						
8	1/2-20	1/8	5FTXS	5CTXS	5VTXS	5STXS	5RTXS	5GTXS	
8	1/2-20	1/4	54FTXS	54CTXS	54VTXS			54GTXS	54F6XS
10	9/16-18	1/8	62FTXS	62CTXS	62VTXS				
10	9/16-18	1/4	6FTXS	6CTXS	6VTXS	6STXS	6RTXS	6GTXS	6F6XS
10	9/16-18	3/8	66FTXS	66CTXS	66VTXS			66GTXS	66F6XS
10	9/16-18	1/2	68FTXS	68CTXS	68VTXS				
12	3/4-16	1/4	84FTXS	84CTXS	84VTXS				
12	3/4-16	3/8	8FTXS	8CTXS	8VTXS	8STXS	8RTXS	8GTXS	8F6XS
12	3/4-16	1/2	88FTXS	88CTXS	88VTXS			88GTXS	88F6XS
12	3/4-16	3/4	812FTXS	812CTXS	812VTXS				
14-16	7/8-14	3/8	106FTXS	106CTXS	106VTXS				106F6XS
14-16	7/8-14	1/2	10FTXS	10CTXS	10VTXS	10STXS	10RTXS	10GTXS	10F6XS
14-16	7/8-14	3/4	1012FTXS	1012CTXS					
18-20	1 1/16-12	1/2	128FTXS	128CTXS				128GTXS	128F6XS
18-20	1 1/16-12	3/4	12FTXS	12CTXS	12VTXS	12STXS	12RTXS	12GTXS	12F6XS
18-20	1 1/16-12	1	1216FTXS						
25	1 5/16-12	3/4	1612FTXS	1612CTXS	1612VTXS				1612F6XS
25	1 5/16-12	1	16FTXS	16CTXS	16VTXS	16STXS	16RTXS	16GTXS	16F6XS
30-32	1 5/8-12	1	2016FTXS	2016CTXS					
30-32	1 5/8-12	1 1/4	20FTXS	20CTXS	20VTXS	20STXS	20RTXS	20GTXS	20F6XS
38	1 7/8-12	1 1/4	2420FTXS						
38	1 7/8-12	1 1/2	24FTXS	24CTXS				24GTXS	

FLARE FITTINGS SAE J514 JIC - BSP

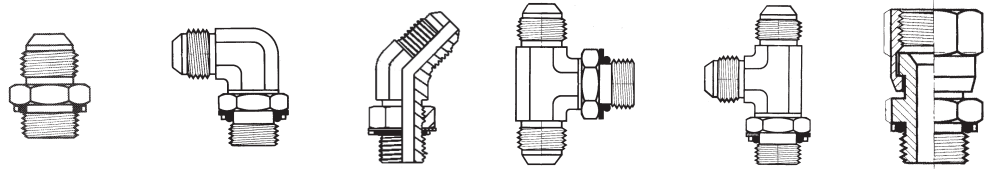
For Stainless Steel, add SS after Part No. Other dimensions and material qualities on request.
All BSP male components come with ED seal



Pipe O.D. mm	Thread JIC 37°	Thread BSP	Straight Male Part No. F40XS	90° Male Part No. C40XS	45° Male Part No. V40XS	T Male Part No. S40XS	T Male Part No. R40XS	Straight Female Part No. G4XS	Swivel Female Part No. F64XS
6	7/16-20	1/8	4F40XS	4C40XS	4V40XS			4G4XS	4F64XS
6	7/16-20	1/4	44F40XS	44C40XS				44G4XS	44F64XS
6	7/16-20	3/8	46F40XS						
6	7/16-20	1/2	48F40XS	48C40XS					
8	1/2-20	1/8	5F40XS		5V40XS			5G4XS	
8	1/2-20	1/4	54F40XS	54C40XS					54F64XS
8	1/2-20	3/8	56F40XS	56C40XS					
10	9/16-18	1/8	62F40XS						
10	9/16-18	1/4	6F40XS	6C40XS	6V40XS	6S40XS	6R40XS	6G4XS	6F64XS
10	9/16-18	3/8	66F40XS	66C40XS		66S40XS		66G4XS	66F64XS
10	9/16-18	1/2	68F40XS			68S40XS		68G4XS	
12	3/4-16	1/4	84F40XS	84C40XS				84G4XS	84F64XS
12	3/4-16	3/8	8F40XS	8C40XS	8V40XS	8S40XS	8R40XS	8G4XS	8F64XS
12	3/4-16	1/2	88F40XS	88C40XS		88S40XS		88G4XS	88F64XS
12	3/4-16	3/4	812F40XS						
14-16	7/8-14	3/8	106F40XS	106C40XS	106V40XS				
14-16	7/8-14	1/2	10F40XS	10C40XS	10V40XS	10S40XS	10R40XS	10G4XS	10F64XS
14-16	7/8-14	3/4	1012F40XS	1012C40XS	1012V40XS	1012S40XS	1012R40XS	1012G4XS	1012F64XS
18-20	1 1/16-12	3/8	126F40XS	126C40XS					
18-20	1 1/16-12	1/2	128F40XS	128C40XS		128S40XS			128F64XS
18-20	1 1/16-12	3/4	12F40XS	12C40XS	12V40XS	12S40XS	12R40XS	12G4XS	12F64XS
18-20	1 1/16-12	1	1216F40XS	1216C40XS					1216F64XS
25	1 5/16-12	3/4	1612F40XS	1612C40XS					1612F64XS
25	1 5/16-12	1	16F40XS	16C40XS	16V40XS	16S40XS	16R40XS	16G4XS	16F64XS
25	1 5/16-12	1 1/4	1620F40XS						
30-32	1 5/8-12	1	2016F40XS	2016C40XS					2016F64XS
30-32	1 5/8-12	1 1/4	20F40XS	20C40XS	20V40XS	20S40XS	20R40XS	20G4XS	20F64XS
30-32	1 5/8-12	1 1/2	2024F40XS	2024C40XS					
38	1 7/8-12	1 1/4	2420F40XS	2420C40XS					2420F64XS
38	1 7/8-12	1 1/2	24F40XS	24C40XS	24V40XS			24G4XS	24F64XS

FLARE FITTINGS SAE J514 JIC - UNF

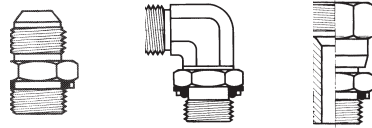
For Stainless Steel, add SS after Part No. Other dimensions and material qualities on request.
All UNF male components come with ED seal.



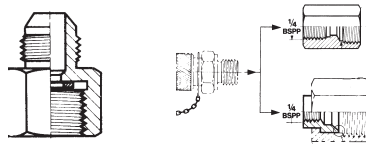
Pipe O.D. mm	Thread JIC 37°	Thread SAE UNF	Straight Male Part No. F50XS	90° Male Part No. C50XS	45° Male Part No. V50XS	T Male Part No. S50XS	T Male Part No. R50XS	Swivel Male Part No. F65XS
6	7/16-20	7/16-20	4F50XS	4C50XS	4V50XS	4S50XS	4R50XS	4F65XS
6	7/16-20	1/2-20	45F50XS					
6	7/16-20	9/16-18	46F50XS					
8	1/2-20	1/2-20	5F50XS	5C50XS	5V50XS	5S50XS	5R50XS	5F65XS
10	9/16-18	9/16-18	6F50XS	6C50XS	6V50XS	6S50XS	6R50XS	6F65XS
10	9/16-18	3/4-16	68F50XS					
12	3/4-16	9/16-18	86F50XS					
12	3/4-16	3/4-16	8F50XS	8C50XS	8V50XS	8S50XS	8R50XS	8F65XS
12	3/4-16	7/8-14	810F50XS	810C50XS				
12	3/4-16	1 1/16-12	812F50XS					
14-16	7/8-14	3/4-16	108F50XS					
14-16	7/8-14	7/8-14	10F50XS	10C50XS	10V50XS	10S50XS	10R50XS	10F65XS
14-16	7/8-14	1 1/16-12	1012F50XS					
18-20	1 1/16-12	3/4-16	128F50XS					
18-20	1 1/16-12	7/8-14	1210F50XS	1210C50XS				
18-20	1 1/16-12	1 1/16-12	12F50XS	12C50XS	12V50XS	12S50XS	12R50XS	12F65XS
18-20	1 1/16-12	1 5/16-12	1216F50XS					
25	1 5/16-12	1 1/16-12	1612F50XS	1612C50XS				
25	1 5/16-12	1 5/16-12	16F50XS	16C50XS	16V50XS	16S50XS	16R50XS	16F65XS
25	1 1/16-12	1 5/8-12	1620F50XS					
30-32	1 5/8-12	1 5/16-12	2016F50XS					
30-32	1 5/8-12	1 5/8-12	20F50XS	20C50XS				20F65XS
38	1 7/8-12	1 7/8-12	24F50XS					

FLARE FITTINGS SAE J514 JIC - METRIC

For Stainless Steel, add SS after Part No. Other dimensions and material qualities on request.



Pipe O.D. mm	Thread JIC 37°	Thread mm	Straight Male Part No. F870XS	90° Male Part No. C870XS	Swivel Male Part No. F687XS
6	7/16-20	M10x1.0	4M10F87XS	4M10C87XS	4M10F687XS
8	1/2-20	M12x1.5	5M12F87XS	5M12C87XS	5M12F687XS
10	9/16-18	M14x1.5	6M14F87XS	6M14C87XS	6M14F687XS
12	3/4-16	M14x1.5	8M14F87XS	8M14C87XS	
12	3/4-16	M16x1.5	8M16F87XS	8M16C87XS	8M16F687XS
12	3/4-16	M18x1.5	8M18F87XS		
14-16	7/8-14	M18x1.5	10M18F87XS	10M18C87XS	
14-16	7/8-14	M22x1.5	10M22F87XS	10M22C87XS	10M22F687XS
18-20	1 1/16-12	M22x1.5	12M22F87XS	12M22C87XS	
18-20	1 1/16-12	M27x2.0	12M27F87XS	12M27C87XS	12M27F687XS
25	1 5/16-12	M33x2.0	16M33F87XS		16M33F687XS
30	1 5/8-12	M42x2.0	20M42F87XS		20M42F687XS
38	1 5/8-12	M50x2.0	24M50F87XS		24M50F687XS

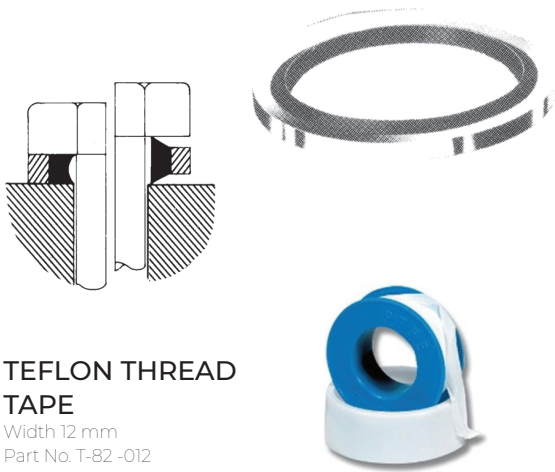


Pipe O.D. mm	Thread JIC 37°	Thread BSP	Manometer Female Part No. G4XSMO	Test Fitting Part No. TT4XS
6	7/16-20	1/4	44G4XSMO	
6	7/16-20	1/2	48G4XSMO	
8	1/2-20	1/4	54G4XSMO	5TT4XS
8	1/2-20	1/2	58G4XSMO	
10	9/16-18	1/4	64G4XSMO	6TT4XS
10	9/16-18	1/2	68G4XSMO	
12	3/4-16	1/4	84G4XSMO	8TT4XS
12	3/4-16	1/2	88G4XSMO	
14-16	7/8-14	1/4	104G4XSMO	10TT4XS
18-20	1 1/16-12	1/4	124G4XSMO	12TT4XS
25	1 5/16-12	1/4	164G4XSMO	16TT4XS
30-32	1 5/8-12	1/4	204G4XSMO	20TT4XS
38	1 5/8-12	1/4	244G4XSMO	24TT4XS

DBS GASKETS THREAD TAPE

DOWTY BONDED SEALS

Delivered with nitrile rubber ring, with temperature resistance -40°C to $+100^{\circ}\text{C}$. Resistant to mineral oils, grease, air, water, sea water, emulsions etc. Standard steel ring is made from materials with high-tensile strength, and is surface treated against rust. Also available in AISI 316.



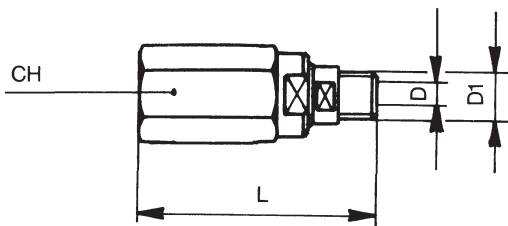
TEFLON THREAD TAPE

Width 12 mm
Part No. T-B2 -012

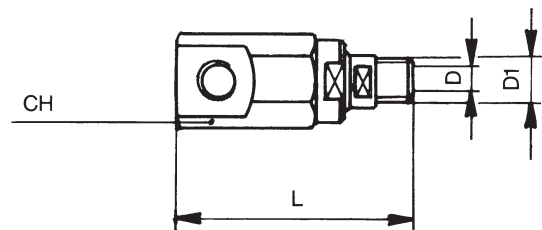
For BSP	Standard Part No. DBS	AISI 316 Part No. DBS	For metric	Standard Part No. DBS
1/8"	-02	-02SS	8 MM	-08MM
1/4"	-04	-04SS	10 MM	-10MM
3/8"	-06	-06SS	12 MM	-12MM
1/2"	-08	-08SS	14 MM	-14MM
5/8"	-10	-10SS	16 MM	-16MM
3/4"	-12	-12SS	18 MM	-18MM
1"	-16	-16SS	20 MM	-20MM
1 1/4"	-20	-20SS	22 MM	-22MM
1 1/2"	-24	-24SS	24 MM	-24MM
2"	-32	-32SS	26 MM	-26MM
			28 MM	-28MM
			30 MM	-30MM

For Stainless Steel, add SS after Part No.

HIGH PRESSURE SWIVELS -Intended for oscillating motions



Straight Swivel



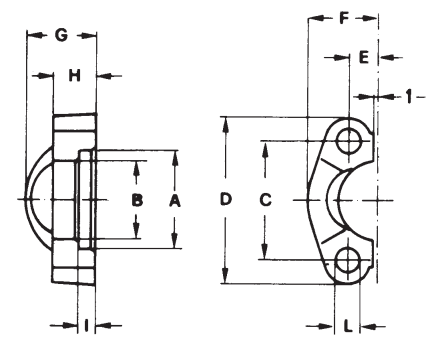
90° Swivel

Thread BSP D1	Part No. 610	L mm	CH mm	D mm	Thread BSP D1	Part No. 615	L mm	CH mm	D mm	Work. Pres. BAR
1/4	-04	85	30	6,5	1/4	-04	91	30	6,5	210
3/8	-06	90	32	9	3/8	-06	98	32	9	210
1/2	-08	99	36	12,5	1/2	-08	109	36	12,5	210
3/4	-12	117	46	18	3/4	-12	133	46	18	210
1	-16	132	50	23,5	1	-16	146	50	23,5	210
1 1/4	-20	141	65	30	1 1/4	-20	180	65	30	180
1 1/2	-24	141	75	35	1 1/2	-24	180	75	35	180

PLASTIC CAPS/ PLASTIC PLUGS



PLASTIC CAPS/PLASTIC PLUGS							
For BSP	Cap Part No. DBI	Plug Part No. DUT	For JIC	Cap Part No. DBI	Plug Part No. DUT	For Metric	Plug Part No. DUT
1/4"	-BSP04	-BSP04	7/16"-20	-JIC04	-JIC04	14 x 1.5	-MM14
3/8"	-BSP06	-BSP06	1/2"-20	-JIC05	JIC05	16 x 1.5	-MM16
1/2"	-BSP08	-BSP08	9/16"-18	-JIC06	-JIC06	18 x 1.5	-MM18
3/4"	-BSP12	-BSP12	3/4"-16	-JIC08	-JIC08	20 x 1.5	-MM20
1"	-BSP16	-BSP16	7/8"-14	-JIC10	JIC10	22 x 1.5	-MM22
1 1/4"	-BSP20	-BSP20	1 1/16"-12	-JIC12	-JIC12	24 x 1.5	-MM24
1 1/2"	-BSP24	-BSP24	1 5/16"-12	-JIC16	-JIC16	26 x 1.5	-MM26
2"	-BSP32	-BSP32	1 5/8"-12		-JIC20	30 x 2.0	-MM30
			1 7/8"-12		-JIC24	36 x 2.0	-MM36
			2 1/2"-12		-JIC32	42 x 2.0	-MM42
						45 x 2.0	-MM45
						52 x 2.0	-MM52



SAE FLANGES
Split flange
3000 PSI / 6000 PSI

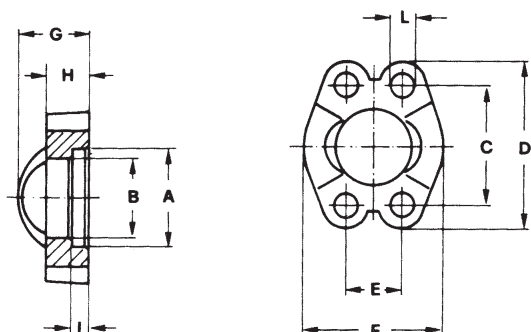
3000 PSI

Dim.	Work. Pres. Bar	Part No. 9553	Dimensions										Screws Metr.	Weight kg pr. pair
			A	B	C	D	E	F	G	H	I	L		
1/2"	210	-2108	30.96	24.26	38.10	54	8.74	22.8	19	13	6.22	9	M 8	0.12
3/4"	210	-2112	38.89	32.13	47.63	65	11.13	25.9	22	14	6.22	10.5	M 10	0.17
1"	210	-2116	45.24	38.48	52.37	70	13.08	29.2	24	16	7.49	10.5	M 10	0.24
1 1/4"	210	-2120	51.59	43.69	58.72	79	15.09	36.3	22	14	7.49	12	M 10	0.30
1 1/2"	210	-2124	61.09	50.80	69.85	94	17.86	41.1	25	16	7.49	13.5	M 12	0.48
2"	210	-2132	72.24	62.74	77.77	102	21.44	48.2	26	16	9.02	13.5	M 12	0.50
2 1/2"	172	-2140	84.94	74.93	88.90	114	25.40	54.1	38	19	9.02	13.5	M 12	0.74
3"	138	-2148	102.39	90.93	106.38	135	30.96	65.3	41	22	9.02	16.75	M 16	1.40
3 1/2"	34	-2156	115.10	102.36	120.65	152	34.92	69.5	28	22	10.72	17	M 16	1.50
4"	34	-2164	127.79	115.06	130.18	162	38.88	76.0	35	25	10.72	17	M 16	1.65

6000 PSI

Dim.	Work. Pres. Bar	Part No. 9556	Dimensions										Screws Metr.	Weight kg pr. pair
			A	B	C	D	E	F	G	H	I	L		
1/2"	420	-2108	32.54	24.64	40.49	56	9.12	23.6	22	16	7.24	9	M 8	0.16
3/4"	420	-2112	42.06	32.51	50.80	71	11.91	30.0	28	19	8.26	11	M 10	0.35
1"	420	-2116	48.41	38.86	57.15	81	13.89	34.8	33	24	9.02	13	M 12	0.53
1 1/4"	420	-2120	54.76	44.45	66.68	95	15.88	38.6	38	27	9.78	15	M 14	0.80
1 1/2"	420	-2124	64.29	51.56	79.38	113	18.26	47.5	43	30	12.07	17	M 16	1.35
2"	420	-2132	80.16	67.56	96.82	133	22.23	56.9	52	37	12.07	21	M 20	2.26

Standard material quality FE 42 UNI 7070 - 72 (ST 52,3 - DIN 1700).
For AISI 316L, add SS after Part No.



SAE FLANGES
One piece flange
3000 PSI / 6000 PSI

3000 PSI

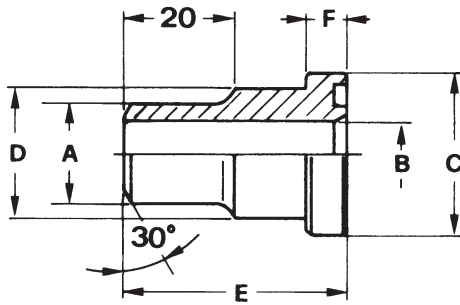
Dim.	Work. Pres. Bar	Part No. 9553	Dimensions										Screws Metr.	Weight kg pr. pair
			A	B	C	D	E	F	G	H	I	L		
1/2"	210	-2708	30.96	24.26	38.10	54	17.48	45.6	19	13	6.22	9	M 8	0.15
3/4"	210	-2712	38.89	32.13	47.63	65	22.23	51.8	22	14	6.22	10.5	M 10	0.17
1"	210	-2716	45.24	38.48	52.37	70	26.19	58.4	24	16	7.49	10.5	M 10	0.22
1 1/4"	210	-2720	51.59	43.69	58.72	79	30.18	72.6	22	14	7.49	12	M 10	0.30
1 1/2"	210	-2724	61.09	50.80	69.85	94	35.71	82.2	25	16	7.49	13.5	M 12	0.45
2"	210	-2732	72.24	62.74	77.77	102	42.88	96.4	26	16	9.02	13.5	M 12	0.50
2 1/2"	172	-2740	84.94	74.93	88.90	114	50.80	108.2	38	19	9.02	13.5	M 12	0.74
3"	138	-2748	102.39	90.93	106.38	135	61.93	130.6	41	22	9.02	16.75	M 16	1.30
3 1/2"	34	-2756	115.10	102.36	120.65	152	69.85	139	28	22	10.72	17	M 16	1.50
4"	34	-2764	127.79	115.06	130.18	162	77.77	152	35	25	10.72	17	M 16	1.65

6000 PSI

Dim.	Work. Pres. Bar	Part No. 9556	Dimensions										Screws Metr.	Weight kg pr. pair
			A	B	C	D	E	F	G	H	I	L		
1/2"	420	-2708	32.54	24.64	40.49	56	18.24	47.20	22	16	7.24	9	M 8	0.16
3/4"	420	-2712	42.06	32.51	50.80	71	23.80	60	28	19	8.26	11	M 10	0.35
1"	420	-2716	48.41	38.86	57.15	81	27.76	69.6	33	24	9.02	13	M 12	0.53
1 1/4"	420	-2720	54.76	44.45	66.68	95	31.75	77.2	38	27	9.78	15	M 14	0.80
1 1/2"	420	-2724	64.29	51.56	79.38	113	36.50	95	43	30	12.07	17	M 16	1.35
2"	420	-2732	80.16	67.56	96.82	133	44.45	113.8	52	37	12.07	21	M 20	2.26

Standard material quality FE 42 UNI 7070 - 72 (ST 52,3 - DIN 1700).
For AISI 316L, add SS after Part No.

SAE FLANGES
Welding adapter for butt welding
3000 PSI / 6000 PSI



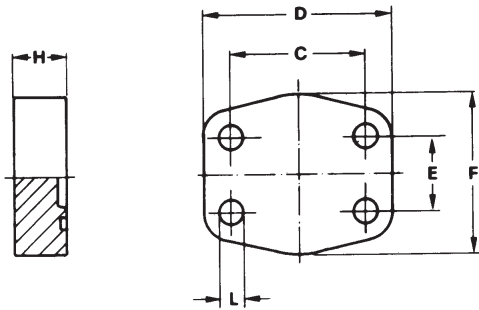
3000 PSI

Dim.	Working Pressure Bar	Part No. w/ O-ring slot 9553	Part No. w/o O-ring slot 9553	Dimensions						Weight kg.
				A	B	C	D	E	F	
1/2"	210	-3008	-3408	16	12	30.2	24	41	6.73	0.08
3/4"	210	-3012	-3412	25	19	38.1	32	50	6.73	0.16
1"	210	-3016	-3416	30	22	44.4	38	50	8.00	0.23
1 1/4"	210	-3020	-3420	38	28	50.8	43	55	8.00	0.30
1 1/2"	210	-3024	-3424	45	35	60.3	50	57	8.00	0.40
2"	210	-3032	-3432	60	50	71.4	62	57	9.53	0.50
2 1/2"	172	-3040	-3440	70	55	84.1	74	58	9.53	0.80
3"	138	-3048	-3448	80	68	101.6	90	60	9.53	1.10

6000 PSI

Dim.	Working Pressure Bar	Part No. w/ O-ring 9556	Part No. w/o O-ring 9556	Dimensions						Weight kg.
				A	B	C	D	E	F	
1/2"	420	-3008	-3408	16	12	31.8	24	34	7.75	0.08
3/4"	420	-3012	-3412	25	18	41.3	32	38	8.76	0.15
1"	420	-3016	-3416	30	22	47.6	38	40	9.53	0.23
1 1/4"	420	-3020	-3420	38	27	54.0	44	45	10.29	0.30
1 1/2"	420	-3024	-3424	45	32	63.5	51	50	12.57	0.50
2"	420	-3032	-3432	60	45	79.4	67	58	12.57	0.80

Standard material quality FE 42 UNI 7070 - 72 (ST 52,3 - DIN 1700).
For AISI 316L, add SS after Part No.



SAE FLANGES
Blind flange
3000 PSI / 6000 PSI

Part no. xxxx-40xx Blind flanges without o-ring slot.
Part no. xxxx-49xx Blind flanges with o-ring slot.

3000 PSI

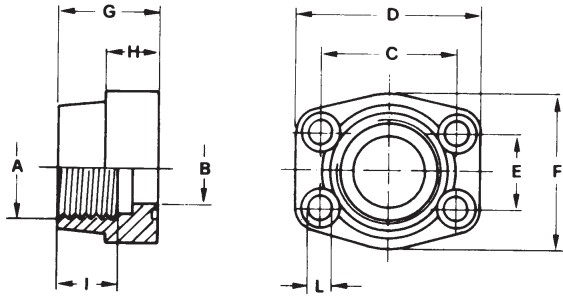
Dim.	Work. Pres. Bar.	Part No.	Dimensions						Screws		Weight kg
			C	D	E	F	H	L	Metr.		
1/2"	345	9553-4908	38.10	54	17.48	48	16	9	M 8	0.20	
3/4"	345	9553-4912	47.63	65	22.23	50	16	11	M 10	0.30	
1"	345	9553-4916	52.37	70	26.19	60	19	11	M 10	0.37	
1 1/4"	276	9553-4920	58.72	79	30.18	73	18	11.5	M 10	0.54	
1 1/2"	207	9553-4924	69.85	93	35.71	83	20	13.5	M 12	0.80	
2"	207	9553-4932	77.77	102	42.88	94	20	13.5	M 12	0.90	
2 1/2"	172	9553-4940	88.90	114	50.80	105	20	13.5	M 12	1.35	
3"	138	9553-4948	106.38	134	61.93	124	24	17.5	M 16	2.35	
3 1/2"	34	9553-4956	120.65	152	69.85	140	22	17.5	M 16	2.90	
4"	34	9553-4964	130.18	162	77.77	152	25	17.5	M 16	3.90	

6000 PSI

Dim.	Work. Pres. Bar.	Part No.	Dimensions						Screws Metr.	Weight kg
			C	D	E	F	H	L		
1/2"	414	9556-4908	40.49	56	18.24	48	16	9	M 8	0.25
3/4"	414	9556-4912	50.80	71	23.80	60	19	11	M 10	0.48
1"	414	9556-4916	57.15	81	27.76	70	24	13	M 12	0.77
1 1/4"	414	9556-4920	66.68	95	31.75	78	27	15	M 14	0.85
1 1/2"	414	9556-4924	79.38	112	36.50	94	30	17	M 16	1.80
2"	414	9556-4932	96.82	134	44.45	114	28	21	M 20	2.00

Standard material quality FE 42 UNI 7070 - 72 (ST 52,3 - DIN 1700).
For AISI 316L, add SS after Part No.

SAE FLANGES
Bock flange c/w BSP Threads
3000 PSI / 6000 PSI



3000 PSI

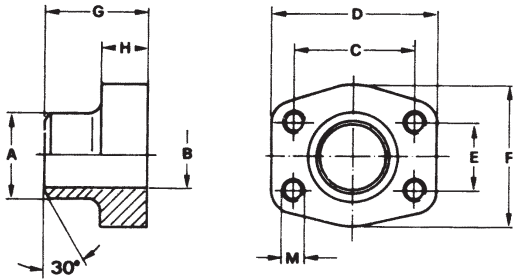
Dim.	Work. Pres. Bar	Part No. w/ slot 9553	Part No. w/o slot 9553	Dimensions										Screws Metr.	Weight kg
				A	B	C	D	E	F	G	H	I	L		
1/2"	345	-6008	-6108	1/2" BSP	13	38.10	54	17.48	46	36	16	19	9	M 8	0.25
3/4"	345	-6012	-6112	3/4" BSP	19	47.63	65	22.23	50	36	18	19	11	M 10	0.39
1"	345	-6016	-6116	1" BSP	25	52.37	70	26.19	55	38	18	22	11	M 10	0.46
1 1/4"	276	-6020	-6120	1 1/4" BSP	32	58.72	79	30.18	68	41	21	22	11.5	M 10	0.66
1 1/2"	207	-6024	-6124	1 1/2" BSP	38	69.85	93	35.71	78	45	25	24	13.5	M 12	1.05
2"	207	-6032	-6132	2" BSP	51	77.77	102	42.88	90	45	25	30	13.5	M 12	1.19
2 1/2"	172	-6040	-6140	2 1/2" BSP	63	88.90	114	50.80	105	50	25	30	13.5	M 12	1.40
3"	138	-6048	-6148	3" BSP	73	106.38	134	61.93	124	50	27	34	17.5	M 16	2.15
4"	34	-6064	-6164	4" BSP	99	130.18	162	77.77	146	48	27	34	17.5	M 16	2.85

6000 PSI

Dim.	Work. Pres. Bar	Part No. w/ slot 9556	Part No. w/o slot 9556	Dimensions										Screws Metr.	Weight kg
				A	B	C	D	E	F	G	H	I	L		
1/2"	414	-6008	-6108	1/2" BSP	13	40.49	54	18.24	46	36	16	19	9	M 8	0.26
3/4"	414	-6012	-6112	3/4" BSP	19	50.80	71	23.80	55	35	21	22	11	M 10	0.50
1"	414	-6016	-6116	1" BSP	25	57.15	81	27.76	65	42	25	24	13	M 12	0.76
1 1/4"	414	-6020	-6120	1 1/4" BSP	32	66.68	95	31.76	78	45	27	25	15	M 14	1.20
1 1/2"	414	-6024	-6124	1 1/2" BSP	38	79.38	112	36.50	94	50	30	28	17.5	M 16	1.65
2"	414	-6032	-6132	2" BSP	51	96.82	134	44.45	114	65	37	30	21	M 20	2.45

Standard material quality FE 42 UNI 7070 - 72 (ST 52,3 - DIN 1700).
For AISI 316L, add SS after Part No.

SAE FLANGES
Bock flange for butt welding
3000 PSI / 6000 PSI



3000 PSI

Dim.	Work. Pres. Bar	Part No. w/ slot 9553	Part No. w/o slot 9553	Dimensions									Weight kg
				A	B	C	D	E	F	G	H	M	
1/2"	345	-6208	-6408	21.5	13	38.10	54	17.48	46	36	16	M 8	0.25
2/4"	345	-6212	-6412	28.0	19	47.63	65	22.23	50	36	18	M 10	0.39
1"	345	-6216	-6416	34.0	25	52.37	70	26.19	55	38	18	M 10	0.46
1 1/4"	276	-6220	-6420	42.8	32	58.72	79	30.18	68	41	21	M 10	0.66
1 1/2"	207	-6224	-6424	48.6	38	69.85	93	35.71	78	44	25	M 12	1.05
2"	207	-6232	-6432	61.0	51	77.77	102	42.88	90	45	25	M 12	1.19
2 1/2"	172	-6240	-6440	77.0	63	88.90	114	50.80	105	50	25	M 12	1.40
3"	138	-6248	-6448	92.0	73	106.38	134	61.93	124	50	27	M 16	2.15
3 1/2"	34	-6256	-6456	103.0	89	120.65	152	69.85	136	48	27	M 16	2.40
4"	34	-6264	-6464	115.5	99	130.18	162	77.77	146	48	27	M 16	2.85

6000 PSI

Dim.	Work. Pres. Bar	Part No. w/ slot 9556	Part No. w/o slot 9556	Dimensions									Weight kg
				A	B	C	D	E	F	G	H	M	
1/2"	414	-6208	-6408	21.5	13	40.49	54	18.24	46	36	16	M 8	0.26
3/4"	414	-6212	-6412	28.0	19	50.80	71	23.8	55	35	21	M 10	0.50
1"	414	-6216	-6416	34.0	25	57.15	79	27.76	68	41	21	M 12	0.76
1 1/4"	414	-6220	-6420	42.8	32	66.68	93	31.75	78	44	25	M 14	1.20
1 1/2"	414	-6264	-6424	48.6	38	79.38	112	36.5	94	55	30	M 16	1.65
2"	414	-6232	-6432	61.0	51	96.82	134	44.45	114	65	37	M 20	1.45

Standard material quality FE 42 UNI 7070 - 72 (ST 52,3 - DIN 1700).
For AISI 316L, add SS after Part No.

SAE FLANGES
O-rings/Bolts
3000 PSI / 6000 PSI

O-rings for 3000 and 6000 PSI flanges:

Dim.	Outer dia. mm	Inner dia. mm	Thickness mm	Part No. 9550
1/2"	25.70	18.64	3.53	1308
3/4"	32.05	24.99	3.53	1312
1"	39.98	32.92	3.53	1316
1 1/4"	44.75	37.69	3.53	1320
1 1/2"	54.28	47.22	3.53	1324
2"	63.80	56.74	3.53	1332
2 1/2"	76.50	69.44	3.53	1340
3"	92.38	85.32	3.53	1348
3 1/2"	105.08	98.02	3.53	1356
4"	117.78	110.72	3.53	1364

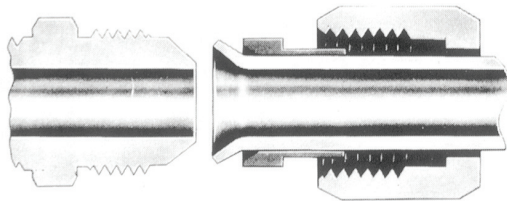
DIN 912 Socket head cap screws with inner hexagon hole w/ nut and spring washer:

mm	UNC	O.D. mm	MM Bolt Part No. 955	MM Nut Part No. 956	MM Spring washer Part No. 957	UNC Bolt Part No. 955	UNC Nut Part No. 956	UNC Spring washer Part No. 957
8		30	08MM030	08MM	08MM			
8		35	08MM035	08MM	08MM			
8		50	08MM050	08MM	08MM			
10		35	10MM035	10MM	10MM			
10		40	10MM040	10MM	10MM			
	3/8"	38				06038	06	06
12		45	12MM045	12MM	12MM			
12		70	12MM070	12MM	12MM			
	7/16"	50				07050	07	07
	1/2"	50				08050	08	08
	1/2"	57				08057	08	08
14		40	14MM040	14MM	14MM			
14		50	14MM050	14MM	14MM			
14		80	14MM080	14MM	14MM			
16		55	16MM055	16MM	16MM			
16		70	16MM070	16MM	16MM			
16		90	16MM090	16MM	16MM			
20		60	20MM060	20MM	20MM			
20		70	20MM070	20MM	20MM			
20		100	20MM100	20MM	20MM			

Bolt sizes for SAE flanges:

Series 3000	Metric	UNC	Series 6000	Metric	UNC
1/2"	M8x30	5/16 x 1 1/4"	1/2"	M8x30	5/16 x 1 1/4"
3/4"	M10x35	3/8 x 1 1/2"	3/4"	M10x40	3/8 x 1 1/2"
1"	M10x35	3/8 x 1 1/2"	1"	M12x45	7/16 x 1 3/4"
1 1/4"	M10x40	7/16 x 1 3/4"	1 1/4"	M14x45	1/2 x 1 3/4"
1 1/2"	M12x45	1/2 x 1 3/4"	1 1/2"	M16x50	5/8 x 2"
2"	M12x45	1/2 x 1 3/4"	2"	M20x70	3/4 x 2 1/2"
2 1/2"	M12x45	1/2 x 1 3/4"			
3"	M16x50	5/8 x 2"			
3 1/2"	M16x50	5/8 x 2"			
4"	M16x50	5/8 x 2"			

Standard material quality FE 42 UNI 7070 - 72 (ST 52,3 - DIN 1700). For AISI 316L, add SS after Part No.



FLARE FITTINGS Hydraulic Fittings Flaring Machines

Approvals: Steel, Stainless steel and brass Flare Fittings fittings are approved by DNV (Det Norske Veritas) for use in hydraulic systems. Lloyds Register of Shipping, US Coast Guard and U.S. Military Standard have also approved Flare Fittings.



1040 - PARFLANGE MACHINE FOR 37° AND 90° TUBE FLARING

Electric/hydraulic operated, fully automatic orbital flaring machine for JIC 37° and ORFS 90° tube flaring.

Tube dimension: 6x1mm - 38x5mm
Voltage: 220/380V/50Hz - 20/16 A - 4 kW
External dim.: 705 x 805 x 1020mm
Weight: 400 kg.

Tools:
M40 - Clamping dies pr. tube O.D and flaring type
B30 - Flaring/flanging pin pr. tube O.D. x I.D. and flaring type

Use separate tools for stainless steel pipes



1025 - PARFLANGE MACHINE FOR 37° AND 90° TUBE FLARING

Electric/hydraulic operated orbital flaring machine for JIC 37° and ORFS 90° tube flaring. 1025 is a compact and portable machine.

Tube dimension: 6 - 38 mm
Voltage: 220V/50Hz 1 Phase
380V/50Hz 3 Phase
External dim.: 600 x 250 x 500
Weight: 80 kg

Tools:
M40 - Clamping dies pr. tube O.D and flaring type
B30 - Flaring/flanging pin pr. tube O.D. x I.D. and flaring type

Use separate tools for stainless steel pipes



FLARING MACHINE MODEL 1015-A

Hand pump operated
Capacity: Pipe O.D 6 mm to 38 mm
Pipe O.D 1/4" to 1½"
Dimensions: L=600 x W=250 x H=350
Weight: 35 kg

FLARING DIE SET FOR FLARING MACHINE 1015A

Tube O.D. mm	Part No. mm	Tube O.D. inch	Part No. inch
6	M157406-1	1/4	M047415-1
8	M157408-1	5/16	M157408-1
10	M157410-1	3/8	M067415-1
12	M157412	1/2	M087415
14	M157414		
15	M157415		
16	M157416	5/8	M107415
18	M157418		
20	M157420	3/4	M127415
25	M157425	1	M167415
30	M157430		
32	M157432	1¼	M207415
38	M157438	1½	M157438

Other machines available on request.

