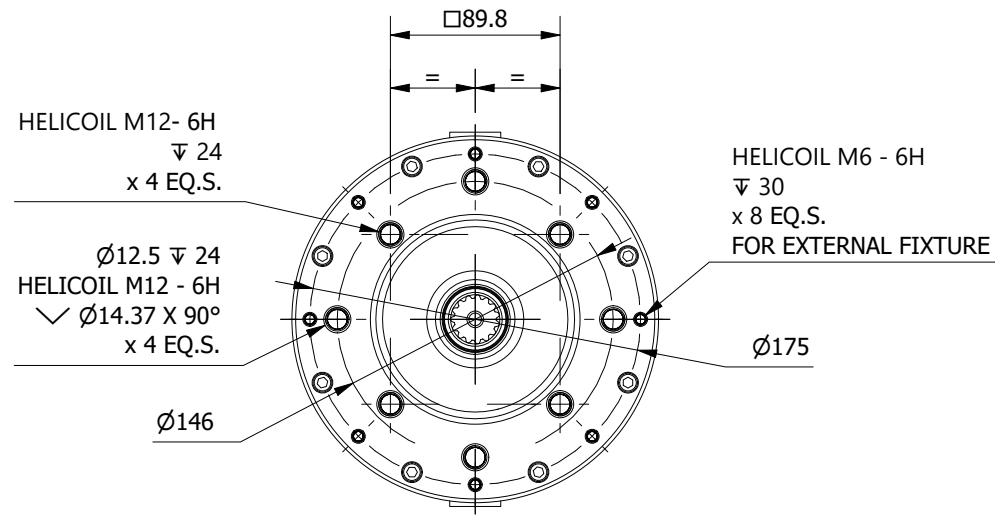
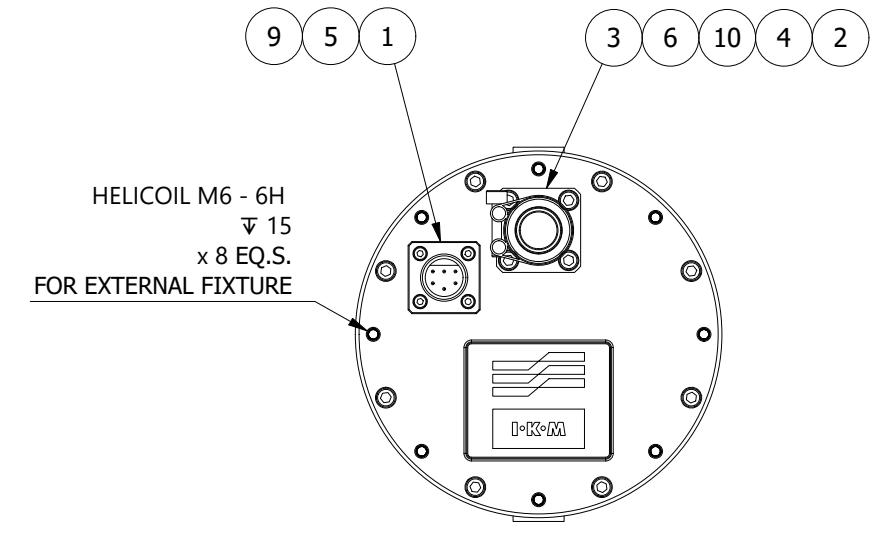
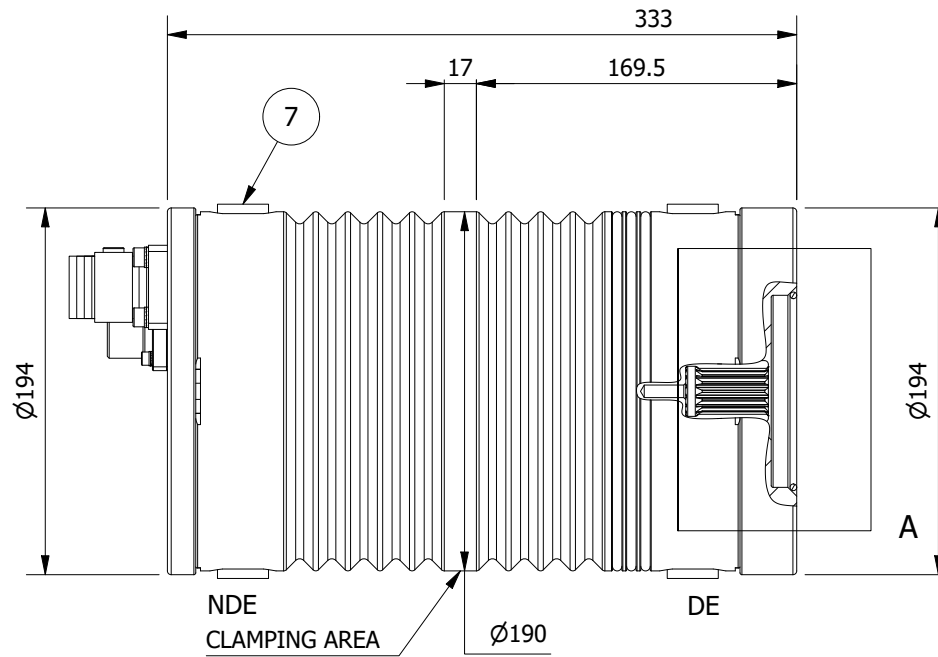


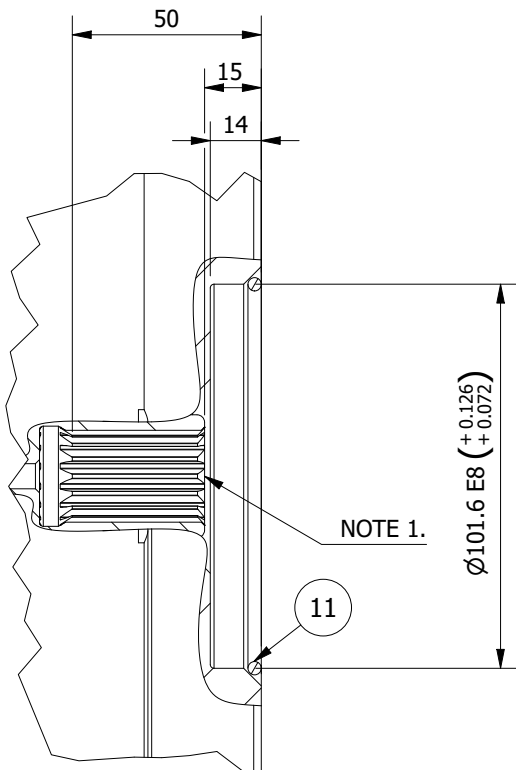
PARTS LIST					
ITEM	QTY	PART NUMBER	TITLE	MATERIAL	MASS
1	1	IKM-1012791	CONNECTOR BURTON 5506-1506-0004	SS AISI 316L	0.16 kg
2	5	IKM-1068953	PVC SLANGE M/TEKSTIL ARM. 25mm - 9100-025	PVC, Flexible	0.01 kg
3	1	IKM-1072675	KD-CABLE OUTLET	Stainless Steel	0.18 kg
4	1	IKM-6009382	HOSE CLAMP - 31-35 MM - 2000-0035SS	Stainless Steel, AISI 316L	0.05 kg
5	4	SMS-100343	WASHER, NORD-LOCK - M4	Stainless Steel, AISI 316L	0 kg
6	4	SMS-100344	WASHER, NORD-LOCK - M6	Stainless Steel, AISI 316L	0 kg
7	4	SMS-101014	INSET PLUG - G 1/2" M ED, Hydroscand 75030008S	Stainless Steel, AISI 316L	0.05 kg
8	1	SMS-103409	MAIN ASSEMBLY - SUBSEA MOTOR - 132-170-4- 101,6 / 1" Spline		35.23 kg
9	4	SMS-910022	DIN 912 - M4 x 16 - A4	A4	0 kg
10	4	SMS-910043	DIN 912 - M6 x 25 - A4	A4	0.01 kg
11	1	SMS-960567	O-Ring - BS-1806, Ø3,53 - ID98,02 _ 241 - FKM 70 (Viton)	FKM 70 (Viton)	0 kg



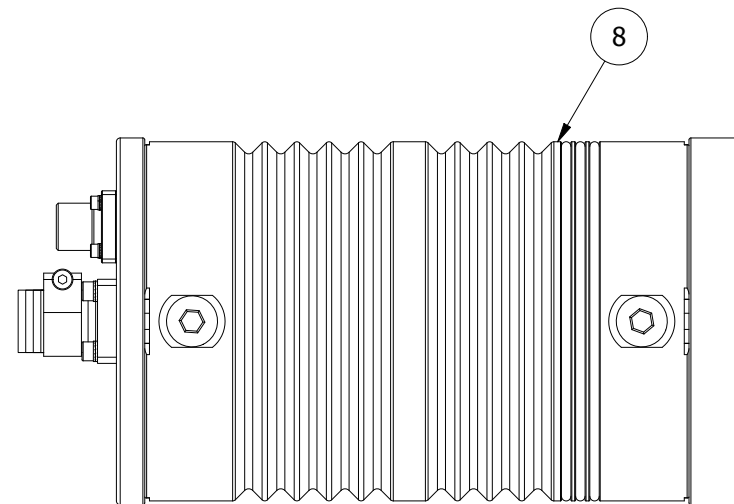
DRIVE END



NON-DRIVE END



A



NOTES:

1. DRIVE END (DE) INTERFACE:

FLANGE ISO 3019-1 101-2 & 101-4

- SPLINE: ANSI B92.1 - 30 deg, Flat root, Side fit - 16/32 x 15ul.

ACCORDING TO ISO 3019-1 32-4

EXAMPLE OF SUITABLE PUMPS:

2. PARKER: PV016-PV028.

3. KAWASAKI: K3VL28, K3VL45.


4. BOSCH REXROTH: A 10VO series 31 size 18, 45 / A 10VO series 52 & 53 size 45, 60, 63, 72.

DANFOSS: series 90 size 42

OPTIONAL: MECHANICAL SEAL (INTERNAL).

INTERNAL OIL VOLUME: 2,5 LITER.

SUITABLE TRANSPORTATION LID: SMS-100045

1	13.01.2025	ISSUED FOR INFORMATION	ØRS	AEL	TAa
REV	DATE	DESCRIPTION	BY	CHKD	APPD
WEIGHT:					
IN AIR:	36 kg				
IN WATER:	28,4 kg				
SURFACE AREA:	17554 cm ²				
UNLESS OTHERWISE SPECIFIED:					
ALL DIMENSIONS ARE IN MILLIMETRES					
TOLERANCES:					
LINEAR: ISO 2768-1 m					
ANGULAR: ISO 2768-1 m					
EDGES: ISO 2768-1 m					
REMOVE ALL BURRS					
BREAK ALL SHARP EDGES					
FIRST ANGLE PROJECTION					
		 IKM SUBSEA MOTOR SOLUTIONS AS			
		Nordlysvegen 7, 4340 BRYNE E-mail: ikmsms@IKM.no Web: www.IKM.no			
		THIS DOCUMENT CONTAINS PROPRIETARY INFORMATION WHICH IS THE PROPERTY OF IKM TECHNOLOGY AS. NONE OF THE INFORMATION CONTAINED HEREIN MAY BE DISCLOSED, REPRODUCED, DISTRIBUTED OR USED WITHOUT WRITTEN CONSENT FROM IKM TECHNOLOGY AS.			
		PRODUCT: GA SUBSEA MOTOR			
		DRAWING TITLE: DRIVE END (DE) FLANGE ACCORDING TO ISO 3019-1 101-2 + 101-4			
		SHEET SIZE: A3		SHEET NO.: 1 OF 1	
		DRAWING NO.: Fangtooth-100120		SCALE: 1 : 4	
				LATEST REV.: 1	